

Hustler® Parts Manual



HUSTLER®
TURF EQUIPMENT

200 South Ridge Road

Hesston, Kansas

67062



NOTICE OF REQUIREMENT OF SPARK ARRESTER MUFFLER

This equipment may create sparks that can start fires around dry vegetation. California Public Resources Code Section 4442.6 provides that it is unlawful to use or operate an internal combustion engine on any forest-covered, brush-covered, or grass-covered land unless the engine is equipped with a spark arrester maintained in effective working order. A spark arrester is a device constructed of nonflammable materials specifically for the purpose of removing and retaining carbon and other flammable particles over 0.0232 of an inch in size from the exhaust flow of an internal combustion engine that uses hydrocarbon fuels or which is qualified and rated by the United States Forest Service. Other states or federal areas may have similar laws. The Operator Should Contact Local Fire Agencies For Laws or Regulations Relating to Fire Prevention Requirements. **THIS EQUIPMENT DOES NOT HAVE A SPARK ARRESTER AND YOU SHOULD CONTACT YOUR AUTHORIZED DEALER FOR THE PURCHASE OF A SPARK ARRESTER.**

Inspect spark arrester daily; replace every 500 hours or as needed.

The Engine Owner's Manual provides information regarding the U.S. Environmental Protection Agency (EPA) and the California Emission Control Regulation of emission systems, maintenance and warranty.

Keep Engine Owner's Manual with your unit. Should the Engine Owner's Manual become damaged or illegible, replace immediately. Replacements may be ordered per the information found in the Product Information section of the owner's manual.

Federal law and California State law prohibit the following acts or the causing thereof:

1. The removal or rendering inoperative by any person other than for purposes of maintenance, repair, replacement, of any device or element of design incorporated into any equipment for the purposes of emissions control prior to or after its sales or delivery to the ultimate purchaser or while it is in use, or
2. The use of the equipment after such device or element of design has been removed or rendered inoperative by any person.

General Information	1
Frame, Instrument Panel & Engine Guard	
Frame	3-1
Fenders, Instrument Panel & Wire Harness & Footrest	3-2
Battery	3-3
Engine Guard	3-4
Hydraulic & Steering	
Transmission Assembly & Drive Belt (Multi-Page)	4-1
Transmission Service Parts	4-2
Steering & Brake	4-3
Steering Cover Assembly	4-4
Wheels & Tires	
Wheel & Tire	5-1
Front Wheel Assembly Breakdown	5-2
Drive Wheel Breakdown	5-3
Engine & Fuel System	
Engine, Muffler & Clutch (Multi-Page)	6-1
Engine Service Parts	6-2
Fuel System	6-3
Deck	
Service Deck	7-1
Deck Pulleys & Spindles	7-2
Spindle Service Parts - 604214	7-3
Deck Belt, Discharge Chute, Pulley Covers & Blades	7-4
Deck Lift & Mounting Hardware (Multi-Page)	7-5
Seat	
Seat	8-1

General Information

Note: When ordering parts, you must use the part number as shown for each part, not the index number. Always give the model and serial number to your parts and service representative.

Note: Items sold in bulk such as seals and hoses are sold by the foot.

Using This Manual

This manual is part of a service package for the Hustler® mowers. Use of this manual in conjunction with other Hustler® mower and component manuals will provide the information necessary to service and maintain Hustler® mowers.

This Parts Manual provides a complete parts listing for the unit. Use this manual when ordering parts. Illustrations used were current at the time of printing, but subsequent production changes may cause your machine to vary slightly in detail. Excel Industries, Inc. reserves the right to redesign and change the machine as deemed necessary, without notification. If a change has been made to your machine which is not reflected in this parts manual, see your authorized dealer for current information and parts.

The Service Manual is a service guide for use by Service Technicians. It provides the necessary information needed to perform normal maintenance requirements on these units.

The Operator's Manual provides fundamental operational information and operational safety that is needed when operating the mower.

The component manuals are furnished by the various manufacturers to be used for the troubleshooting and servicing of their products.

Hardware Description Codes & Abbreviations

The following codes are used throughout this parts manual. Refer to this list when ordering parts.

ABBREVIATION	DESCRIPTION	ABBREVIATION	DESCRIPTION
CB	CARRIAGE BOLT	MB	MACHINE BUSHING
CE	CLEVIS PIN	MS	MACHINE SCREW
CN	CLIP NUT	NT	NUT
CP	COTTER PIN	SC	SELF TAPPING CAP SCREW
CS	CAP SCREW	SH	SOCKET HEAD
CW	CUP WASHER	SB	SHOULDER BOLT
FDRW	FENDER WASHER	SS	SET SCREW
FW	FLAT WASHER	OD	OUTSIDE DIAMETER
HX	HEX HEAD	ID	INSIDE DIAMETER
LW	LOCK WASHER	WN	WELD NUT

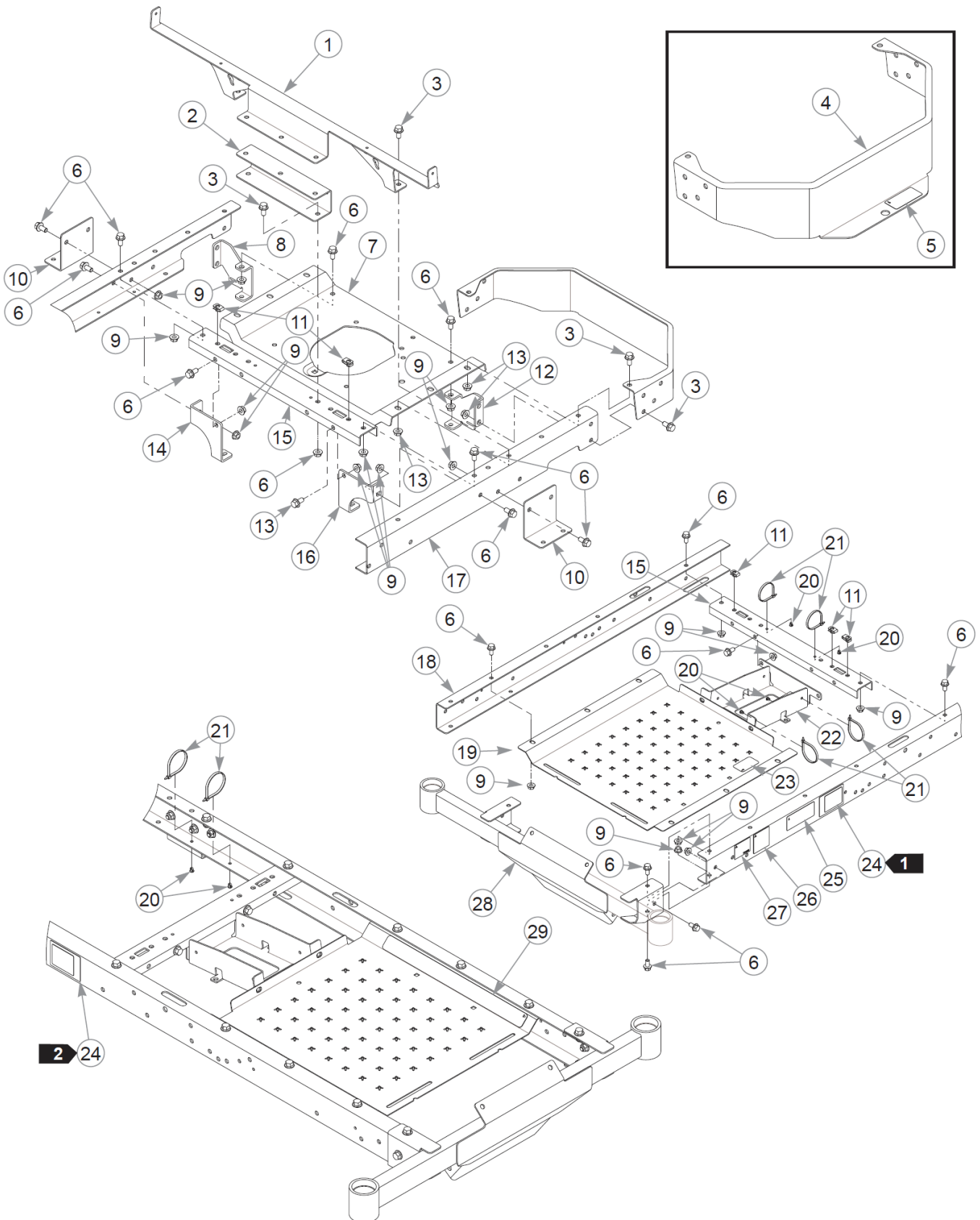
Standard Torques

The following chart lists the standard torque values for the threaded fasteners found in this manual. Torque all cap screws, nuts and set screws to these values unless a different torque is shown in the Notes section next to the fastener.

SIZE	FT-LBS	N•M	SIZE	FT-LBS	N•M
.250	8.2	11.1	M3	1	1.3
.312	17	23	M4	2.2	3
.375	30	40	M5	4.5	6.1
.438	48	65	M6	7.7	10.4
.500	73	99	M8	18.5	25
.562	105	143	M10	37	50
.625	145	200	M12	64	87
.750	260	350	M14	80	108.5
.875	420	565	M16	160	215
1.00	625	850	M20	320	435
			M24	555	750

This page intentionally left blank

Frame



Frame

Item	Part No.	Qty	Name
1	123637-1	1	SEAT SUPPORT
2	123636-1	1	SPRING SUPPORT
3	029629	10	CS .375-16X0.75 HXF G5ZY
4	553148	1	SERVICE, BUMPER STAMPED
5	602041	1	DECAL, HOT
6	604176	30	CS .375-16X.75 HXF NF
7	551858	1	SVC, ENGINE PLATE
8	551859	1	SVC, RS REAR BRKT
9	604177	30	NT .375-16 HXFLK PLN
10	551863	2	SVC, HYDRO BRKT
11	601982	5	CN .250-20X .150 MAX THK
12	551860	1	SVC, LS REAR BRKT
13	016899	10	NT .375-16 FLKG5
14	551862	1	SVC, FRONT BRKT
15	551861	2	SVC, CROSS SUPPORT
16	116124-1	1	SVC, BRACKET, LH FRONT
17	551868	1	SVC, LS FRAME CHANNEL
18	551866	1	SVC, RS FRAME CHANNEL
19	551865	1	SVC, FOOT PAN
20	604307	6	MOUNT, PUSH BUTTON
21	000331	6	WIRE TIE, SMALL/SHORT
22	552570	1	BATTERY TRAY
23	605782	1	DECAL, LEVEL FUEL BLOWM
24	N/A	2	SERIAL NUMBER / SPEC DECAL
25	601967	1	DECAL, ENGINE COMPART
26	794834CE	1	CE 100 DBA LIMIT DECAL
27	776310	1	DECAL, CE MARK
28	124803-1	1	SVC, FRONT CROSS W/A
29	601981	1	DECAL, SAFE OPERATE-GRAY
30	604876	1	WIRE HARNESS

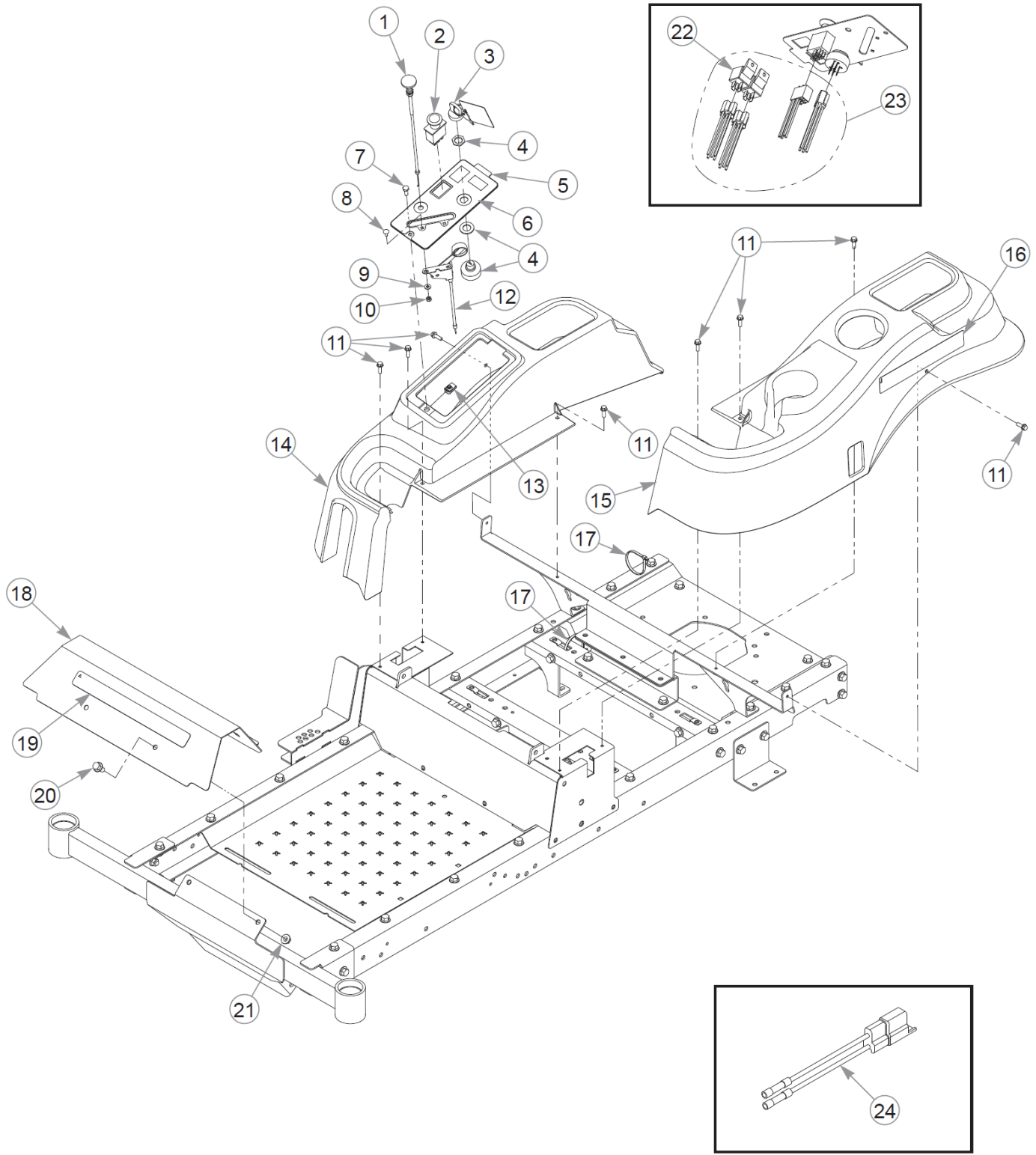
Comments for Page: Frame

1. Serial number decal. In the event the serial number decal becomes damaged or illegible, please contact your dealer to order a replacement.
2. EPA compliance decal (does not apply to mowers with serial numbers prior to 19020001).
3. Torque all hardware to a minimum of 45 N•m.

Frame

4. The bumper, engine plate, LS frame channel and foot pan include the decals.

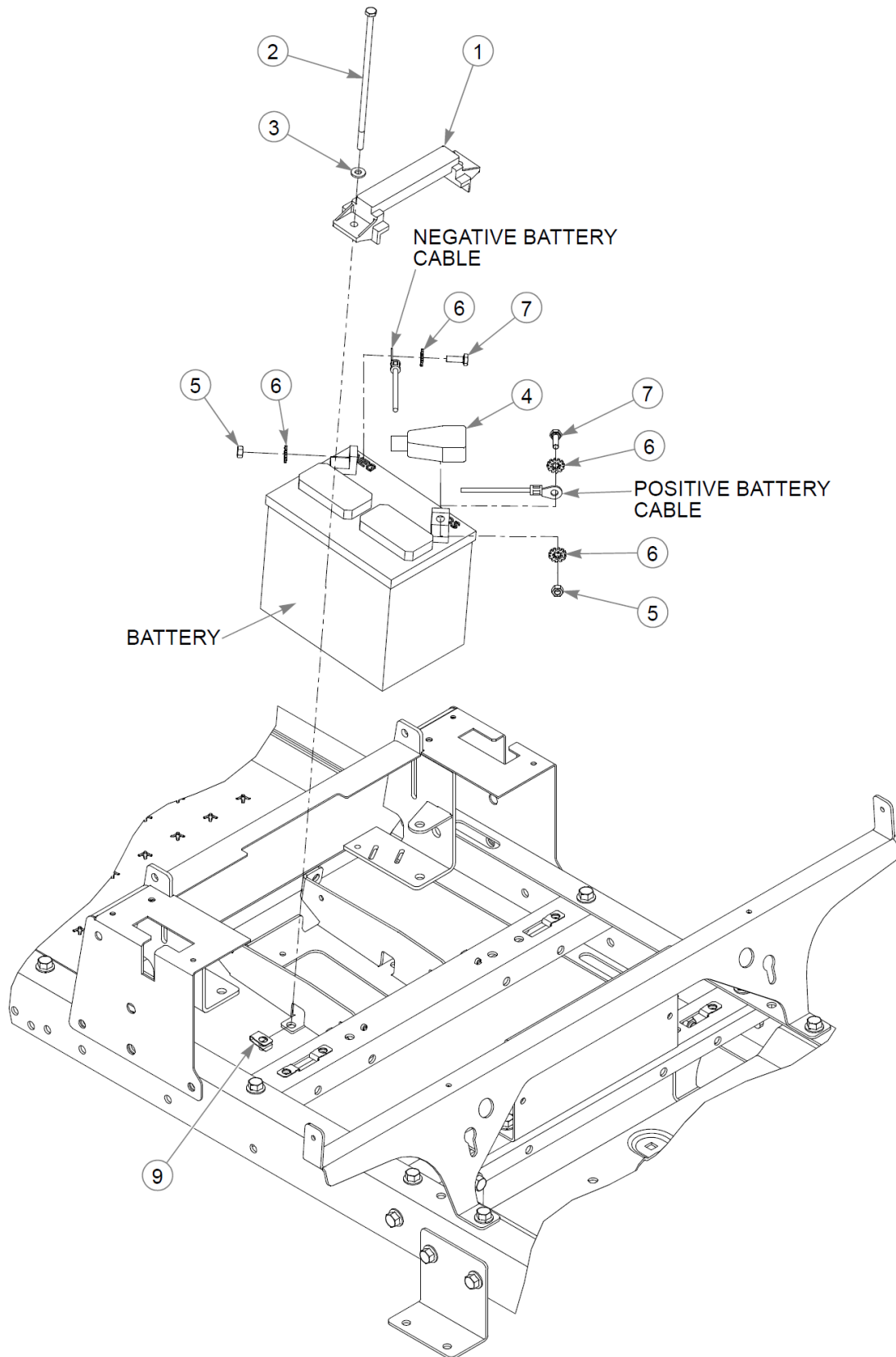
This page intentionally left blank



Item	Part No.	Qty	Name
1	601097	1	CABLE, CHOKE
2	776476	1	SWITCH, PTO 6201-321
3	785808	1	KEY ASSEMBLY
4	045898	1	IGNITION SWITCH
5	551898	1	SERVICE, INSTR PANEL
6	604196	1	DECAL, INST PANEL
7	055939	1	CS .250-20X0.75 HX G5 ZY
8	601098	2	CB 10-24 X .500 ZYNC
9	704932	2	FW 0.219X.50X.05 ZY
10	059832	2	NT #10-24 HX NL ZN
11	604324	8	CS .250-20 X .75 HX FLG
12	601096	1	CABLE, THROTTLE
13	601982	1	CN .250-20X .150 MAX THK
14	552809	1	SVC, FENDER RS
15	552810	1	SVC, FENDER LS
16	604388	2	DECAL, RAPTOR FENDER
17	000331	2	WIRE TIE, SMALL/SHORT
18	554778	1	SVC, FOOTREST
19	602407	1	DECAL, HUSTLER ID
20	029629	2	CS .375-16X0.75 HXF G5ZY
21	016899	2	NT .375-16 FLKG5
22	601053	2	RELAY, SEALED W/BRACKET
23	604876	1	WIRE HARNESS
24	114052	1	KIT, CLUTCH CONN. REP.

Comments for Page: Fenders, Instrument Panel & Wire Harness & Footrest

1. The instrument panel, footrest, and LS & RS fenders include decals.
2. The sealed relay includes a bracket.



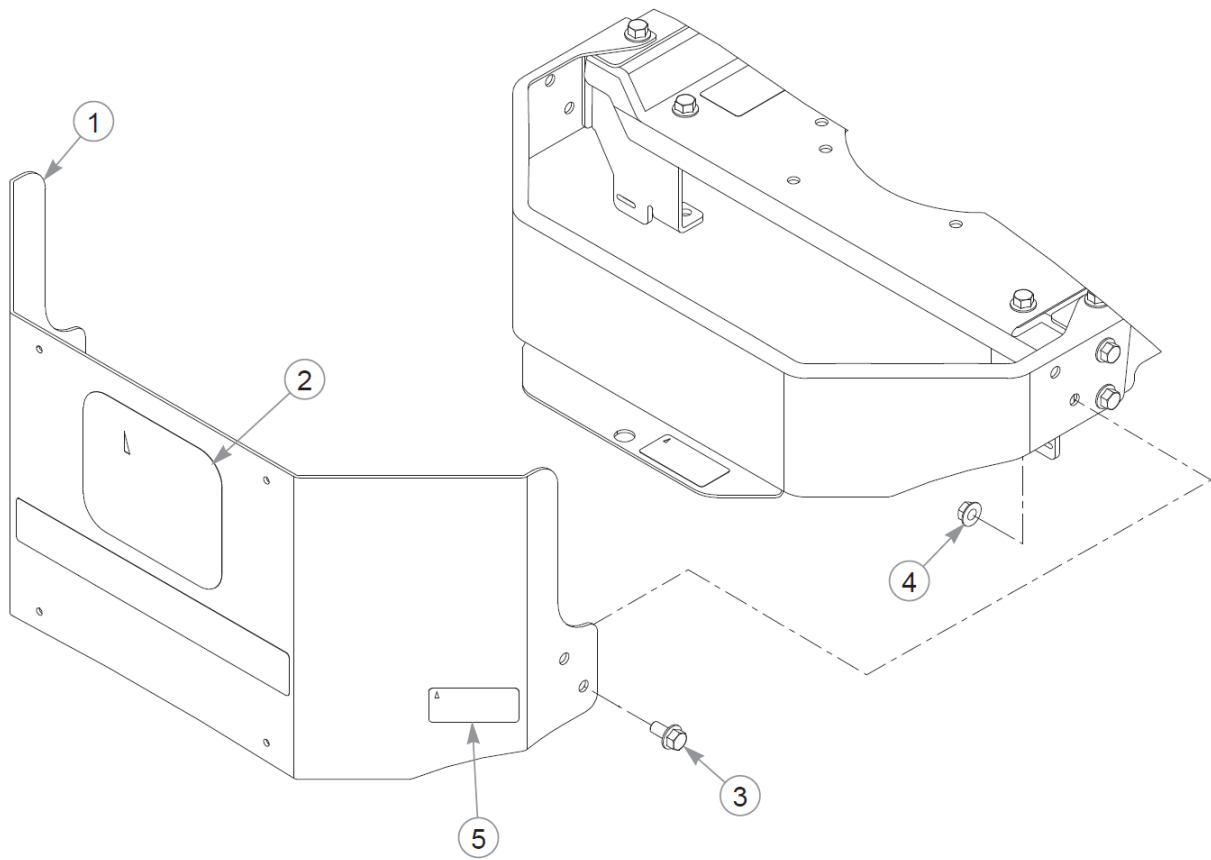
Battery

Item	Part No.	Qty	Name
1	604178	1	STRAP, TIE DOWN
2	604465	2	CS .250-20X7.50 HX G5 ZC
3	768515	2	FW 0.281SAE
4	771428	1	BATTERY CBL BOOT-RED(FS)
5	024927	2	NT .250-20HXG5
6	029868	4	LW .250 INTEXT ZY
7	055939	2	CS .250-20X0.75 HX G5 ZY
8	000331	2	WIRE TIE, SMALL/SHORT
9	601982	2	CN .250-20X .150 MAX THK

Comments for Page: Battery

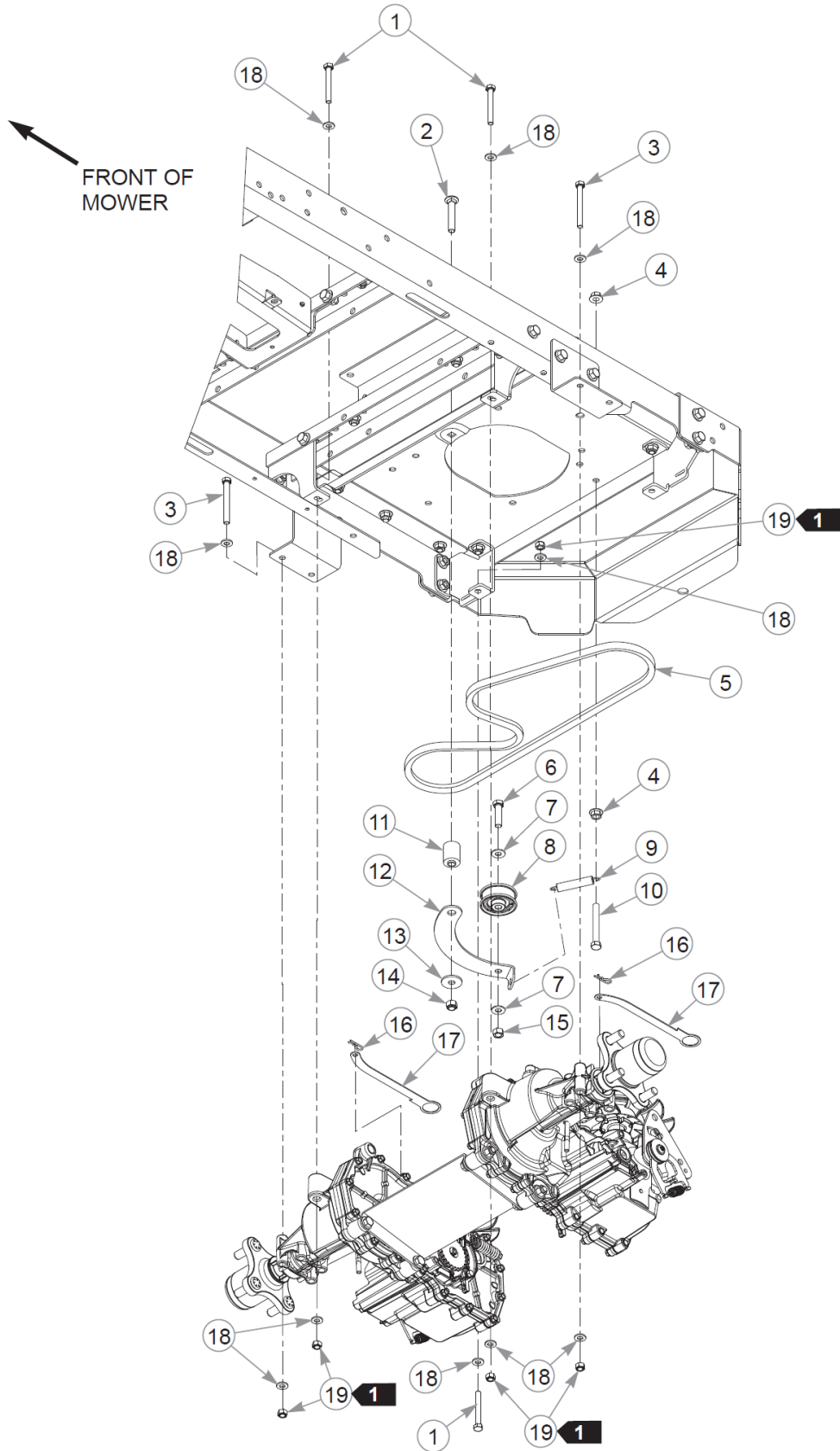
1. When performing service on the mower, disconnect the negative battery cable and do not reconnect it to the battery until ready to start the engine.

Engine Guard

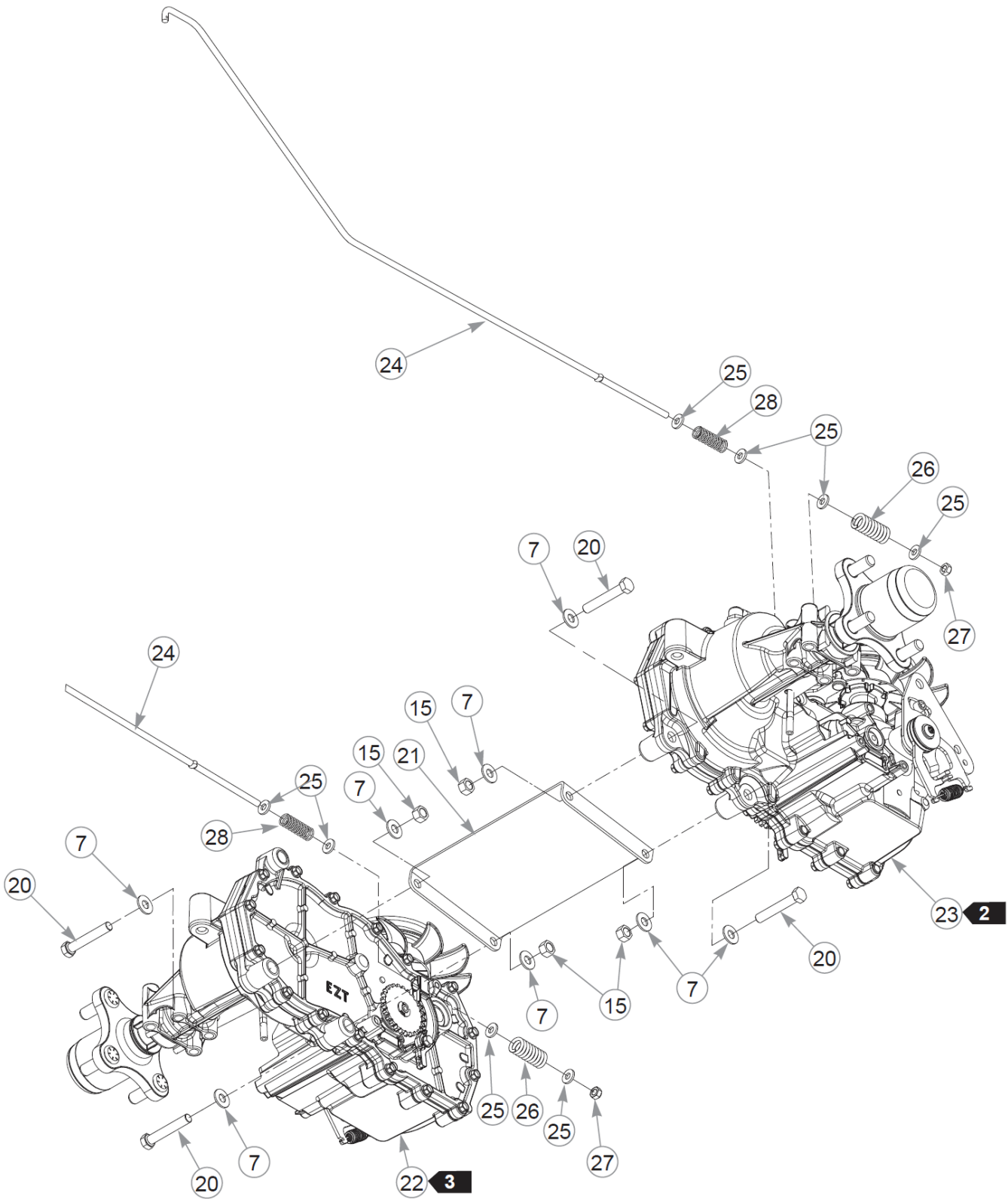


Engine Guard

Item	Part No.	Qty	Name
1	122817	1	KIT, ENGINE GUARD
Comments for Part Num. 122817			
IMPORTANT - REFERENCE PRODUCT BULLETIN 571-R BEFORE ORDERING ENGINE GUARDNOTE: ENGINE GUARD KIT INCLUDES DECALS AND BOLTS.			
2	604745	1	DECAL, H LOGO, MFSD 36/4
3	029629	4	CS .375-16X0.75 HXF G5ZY
4	016899	4	NT .375-16 FLKG5
5	602041	1	DECAL, HOT



Item	Part No.	Qty	Name
1	710087	4	CS .312-18X2.500HXG5
2	604343	1	CB .375-16 X 2.25 STD ZN
3	043067	4	CS .312-18X3.000HXG5
4	016899	2	NT .375-16 FLKG5
5	603907	1	BELT, DRIVE
6	080655	1	CS .375-16X1.500HXG5
7	767954	10	FW 0.379X.82X.06 HD ZY
8	604491	1	PULLEY, 2.0" IDLER
9	604490	1	SPRING, 3.00 X .50 EXT
10	005108	1	CS .375-16X3.500HXG5
11	116289	1	SPACER, PIVOT IDLER
12	116287	1	IDLER ARM
13	712893	1	FW 0.406X1.25X.12 HD ZY
14	086660	1	NT .375-16NLG8
15	054502	5	NT .375-16HXG5
16	706549	2	HP0.080X1.190
17	116218	2	LINK, TOW VALVE
18	768523	16	FW 0.343SAE
19	058776	8	NT .312-18NLG5
20	056036	4	CS .375-16X2.250HXG5
21	123634-3	1	CROSS BRACE, HYDROSTAT
22	604127	1	EZT, 19.2:1 TRANS
23	604128	1	EZT, 19.2:1 TRANS
24	116143	2	ROD, BRAKE ACTUATOR
25	768515	8	FW 0.281SAE
26	601051	2	OVERTRAVEL SPRING
27	068551	2	NT .250-20 HXZY NL
28	601131	2	SPRING, BRAKE ARM RET.

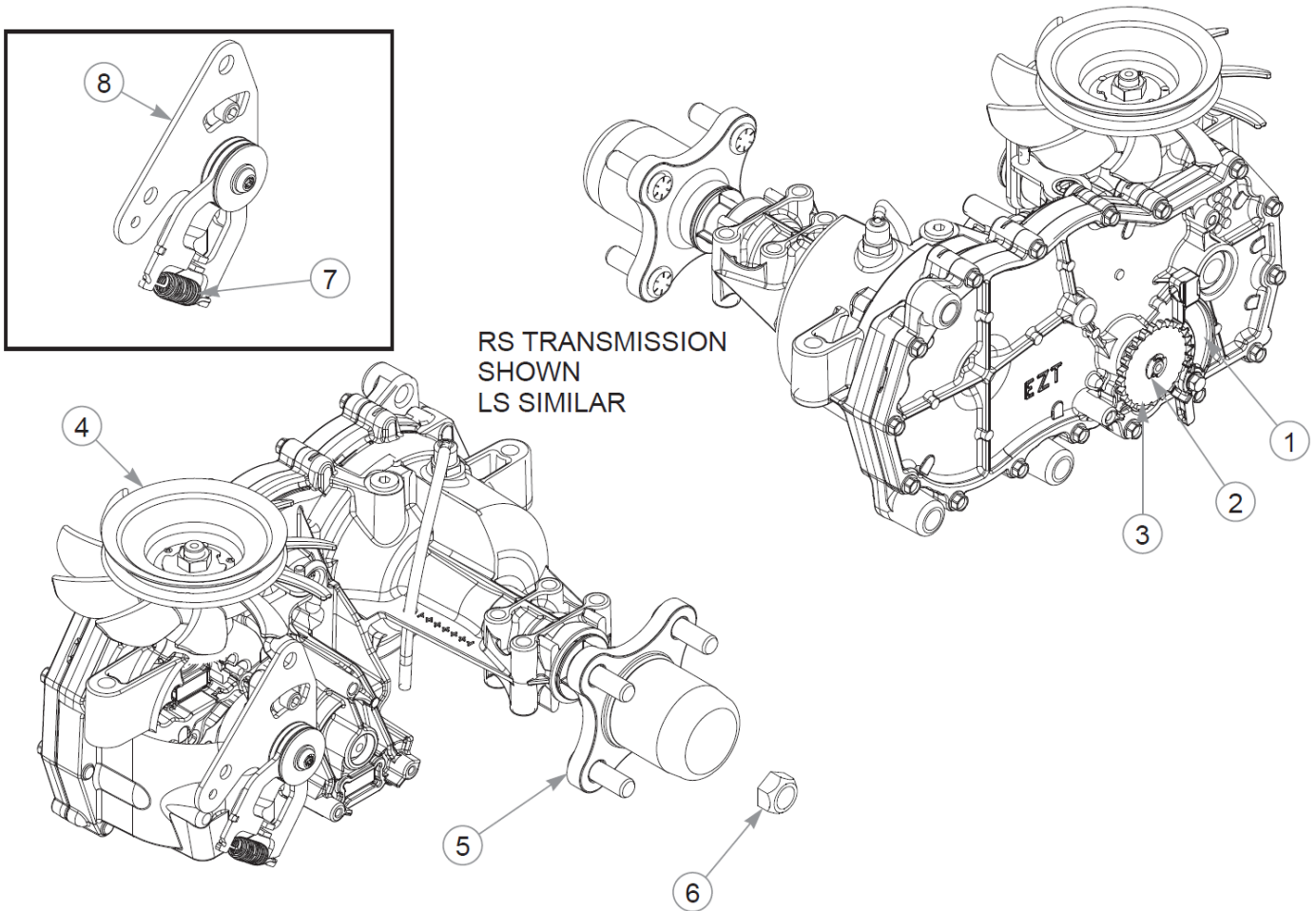


Transmission Assembly & Drive Belt (Multi-Page)

52" Raptor Parts Manual - 938969CE - HTRTRL052KAWFR691VC

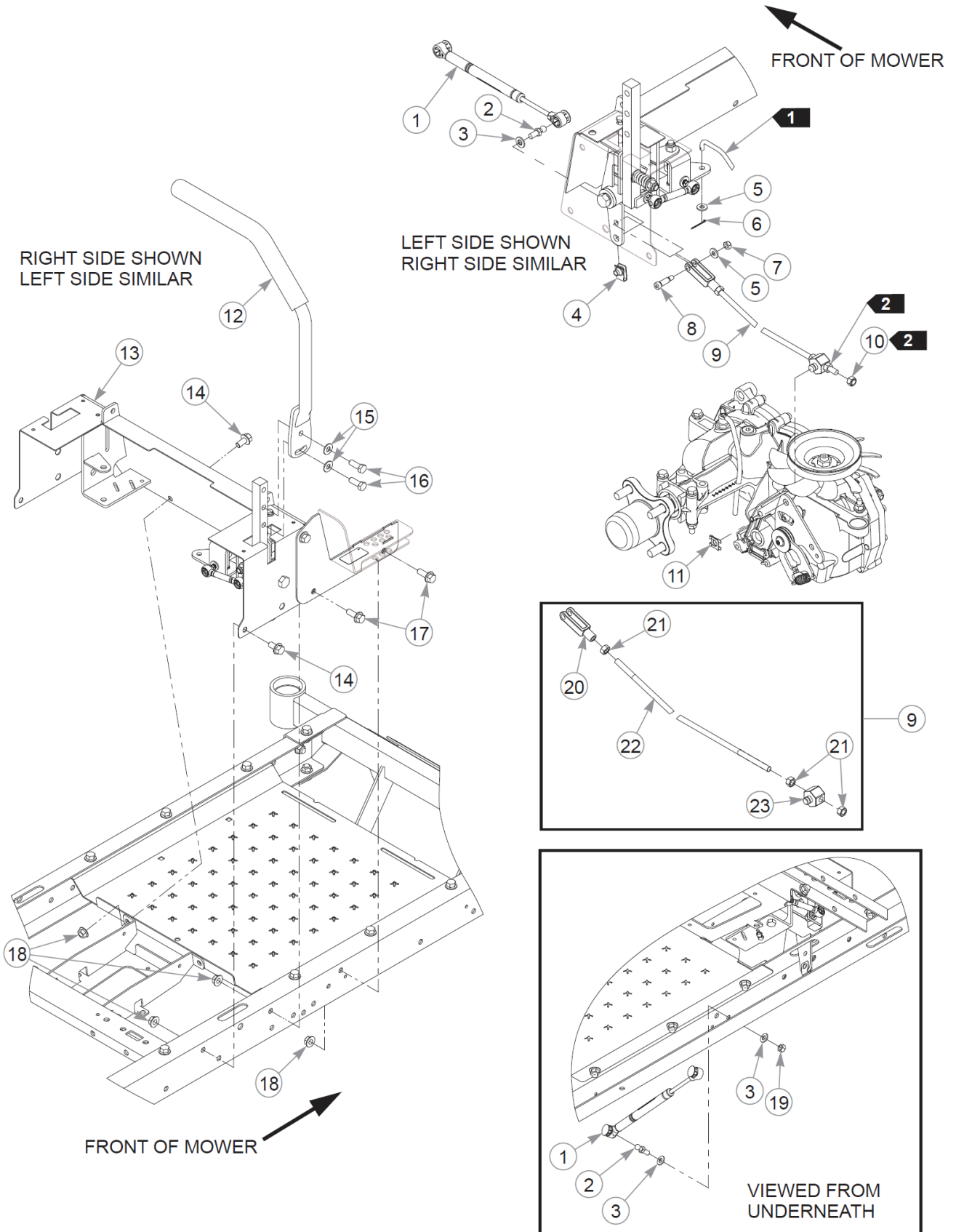
Comments for Page: Transmission Assembly & Drive Belt (Multi-Page)

1. Torque to 23 N•m.
2. 604128 is the LH Transmission
3. 604127 is the RH Transmission



Transmission Service Parts

Item	Part No.	Qty	Name
1	795047	1	PARKING PAWL KIT, EZT
2	798371	1	RING, RETAINING
3	798363	1	GEAR, PARK BRAKE
4	602094	1	FAN / PULLEY KIT
5	601433	1	KIT, HUB 4 BOLT
<p>Comments for Part Num. 601433</p> <p>CUSTOMER SERVICE NOTE: Lug Studs are not sold separately.</p>			
6	788877	1	NUT, H-G ZT HUB
7	604903	1	HG RTN SPRING
8	604901	1	HG RTN CW
Not Shown	604902	1	HG RTN CCW



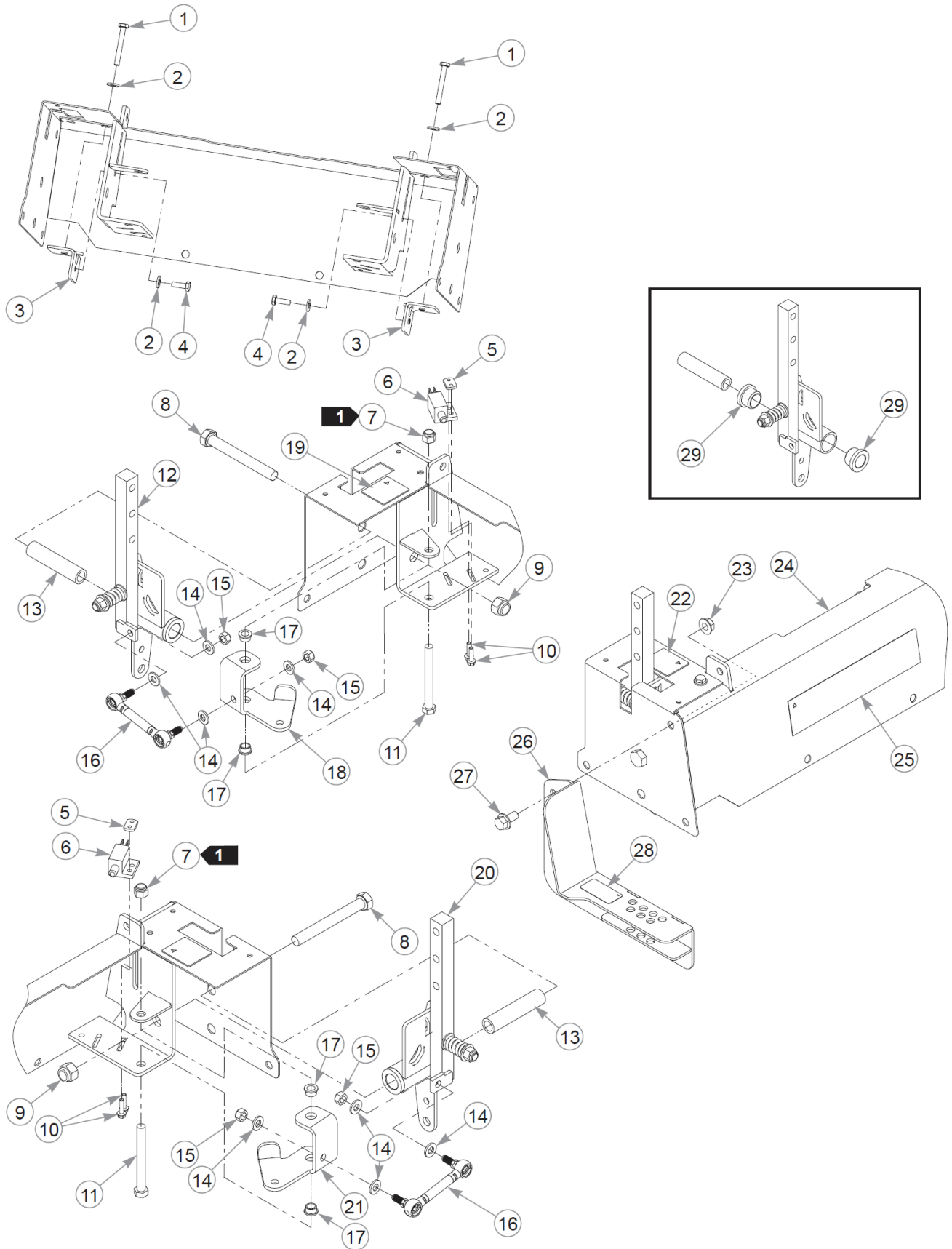
Steering & Brake

Item	Part No.	Qty	Name
1	603983	2	DAMPER
2	781922	4	BALL STUD
3	768523	6	FW 0.343SAE
4	601069	2	CN .312-18x.200 MAX THK
5	768515	4	FW 0.281SAE
6	048553	2	CP .062DX1.000 LG HML Z
7	068551	2	NT .250-20 HXZY NL
8	772483	2	SB0.312X0.750SH0.250-20
9	605273	2	STEERING ROD S/A
10	023655	2	NT 0.312-24 NL G8
11	606575	2	CLIP, SAFETY
12	110370	2	STEERING BAR W/ GRIP
Not Shown	781260	1	GRIP, STEERING BAR
13	N/A	1	STEERING ASSEMBLY
14	029629	5	CS .375-16X0.75 HXF G5ZY
15	767954	4	FW 0.379X.82X.06 HD ZY
16	036244	4	CS .375-16X1.00 HX G5 ZY
17	029751	2	CS .375-16X1.00 HXF G5ZY
18	016899	7	NT .375-16 FLKG5
19	034272	2	NT .312-18HXG5
20	604173	2	YOKE, 5/16-24
21	041152	6	NT 0.312-24 HX G8
22	605273	2	STEERING ROD S/A
23	116144	2	BLOCK, STEERING CONTROL

Comments for Page: Steering & Brake

1. Part of the Transmission Assembly.
2. Torque to 19 N•m.
3. The steering handles include the grips.

Steering Cover Assembly

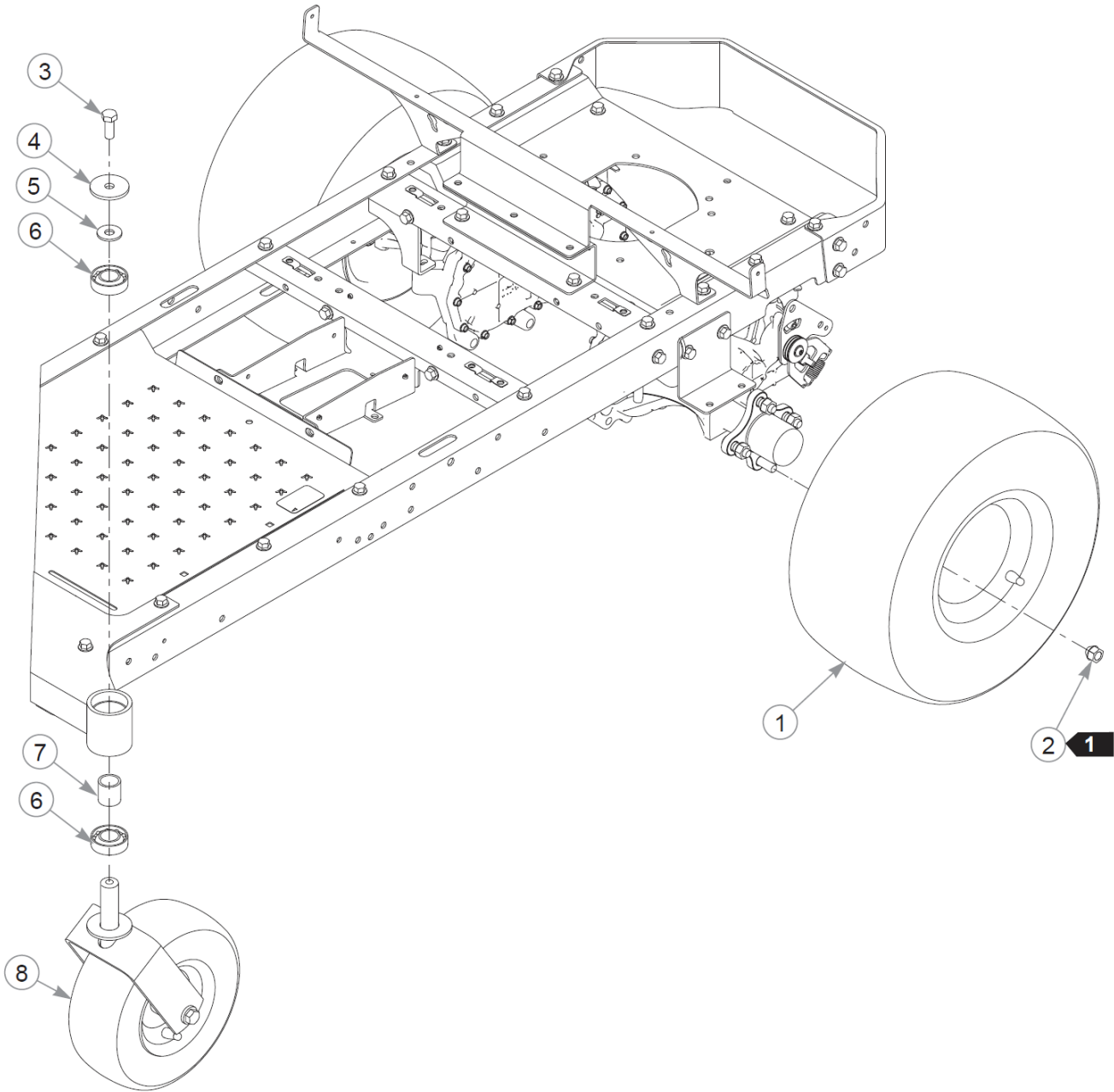


Steering Cover Assembly

Item	Part No.	Qty	Name
1	604452	2	CS .250-20X2.00 HX FH ZY
2	768515	4	FW 0.281SAE
3	605529	2	STOP, STEERING
4	055939	2	CS .250-20X0.75 HX G5 ZY
5	601822	2	NUT PLATE, .420 CENTERS
6	781211	2	SWITCH, PUSH BUTTON
7	086660	2	NT .375-16NLG8
8	781708	2	CS .500-13X4.25 HX G5 ZY
9	781567	2	NT .500-13NLG5
10	063198	4	CS #10-24X0.750FLKG5
11	005108	2	CS .375-16X3.500HXG5
12	606106	1	STEERING BOX SUB, LH
13	604288	2	SPACER, STEERING
14	768523	8	FW 0.343SAE
15	058776	4	NT .312-18NLG5
16	604179	2	BRAKE LINK
17	765339	4	BUSHING,IGUS#0608 (FS)
18	116142	1	BRAKE BLCRNK, LH
19	785139	1	DECAL, STEERING L.S.
20	606105	1	STEERING BOX SUB, RH
21	116141	1	BRAKE BLCRNK, RH
22	785220	1	DECAL, STEERING R.S.
23	016899	1	NT .375-16 FLKG5
24	551698	1	STEERING COVER, SERVICE
25	604195	1	DECAL ID, RAPTOR
26	554780	1	SVC, DECK HEIGHT BRKT
27	029629	1	CS .375-16X0.75 HXF G5ZY
28	607109	1	DECAL, DECK HEIGHT
29	781153	4	BUSHING, UHMW

Comments for Page: Steering Cover Assembly

1. Do not torque; the brake bell crank must pivot freely.
2. The steering cover and deck height assembly include decals.

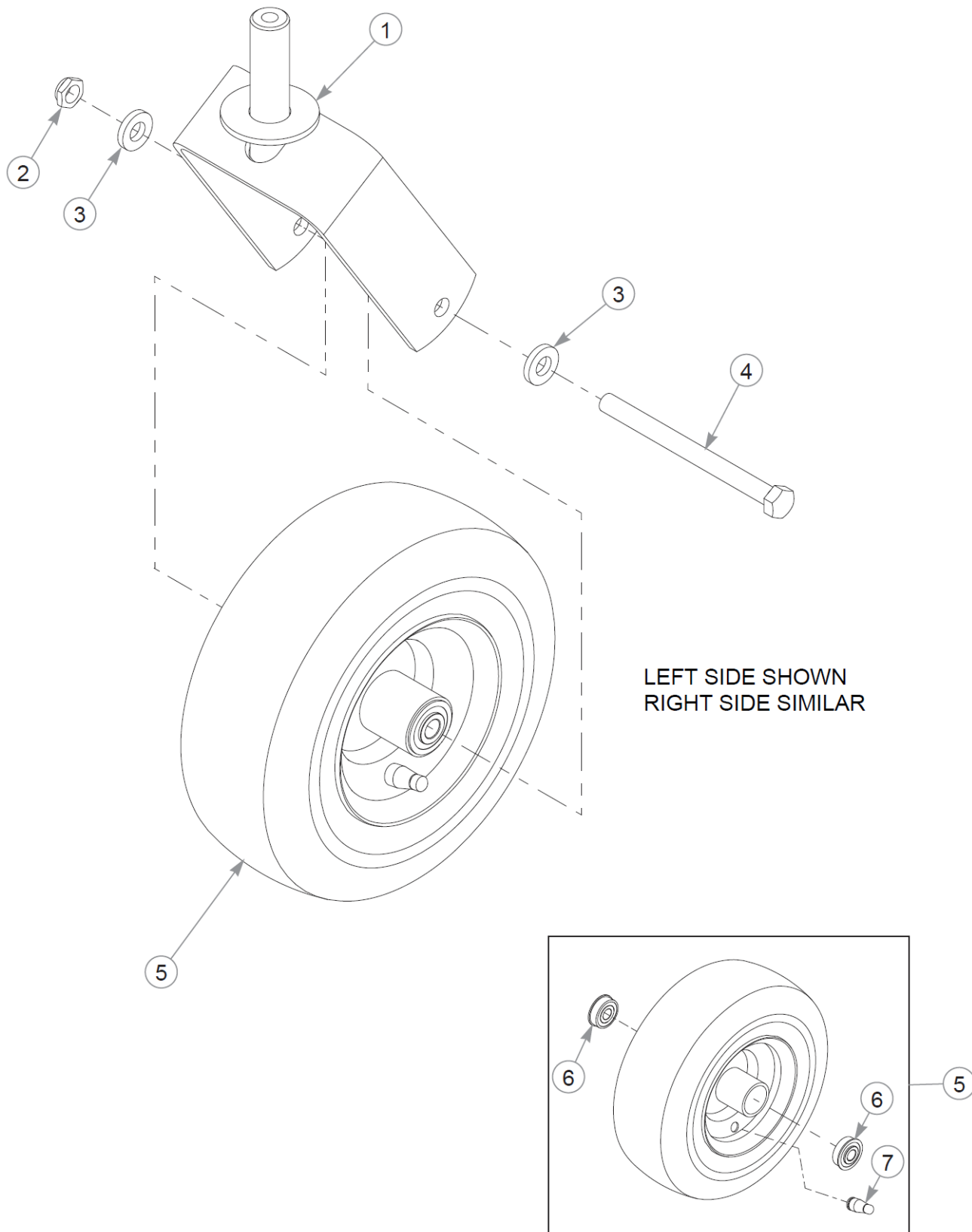


Wheel & Tire

Item	Part No.	Qty	Name
1	604013	2	TIR/WHL 18X8.50-8 SLV
2	061077	8	WHEEL NUT
3	705954	2	CS .500-13X1.25 HX G5 ZY
4	344267	2	FW .510X2.15X.19 ZY
5	712976	2	FW 0.531X1.38X.12 ZY
6	784223	4	BEARING
7	784603	2	SPACER
8	N/A	1	FRONT WHEEL ASSEMBLY

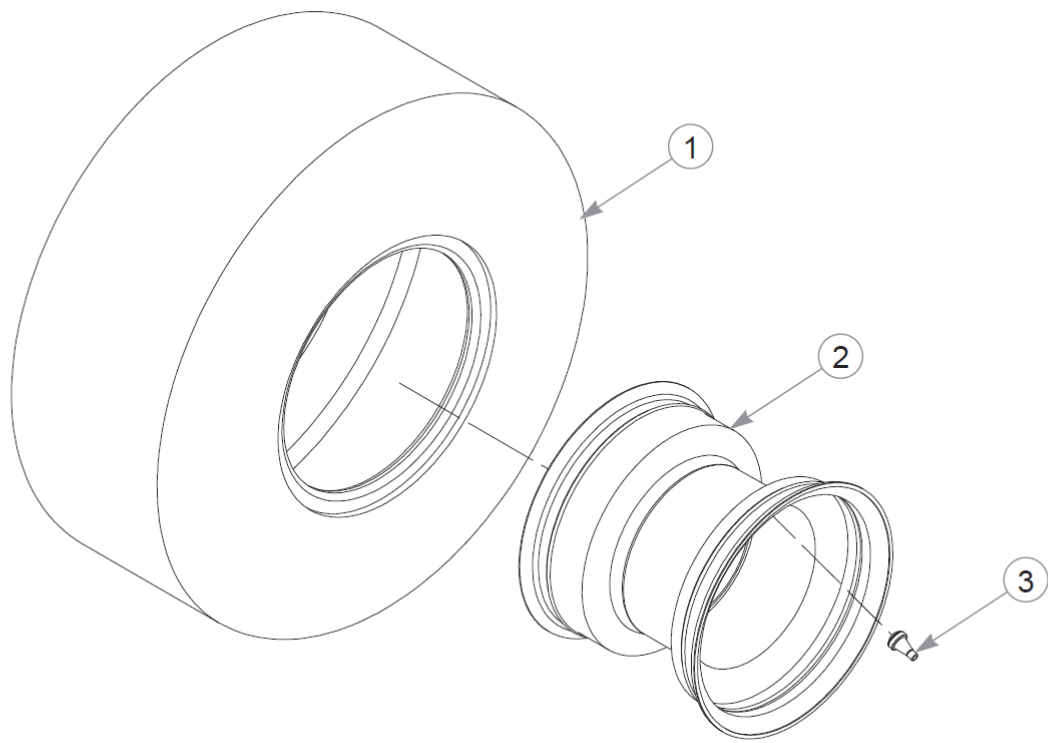
Comments for Page: Wheel & Tire

1. Torque to 88–102 N•m.



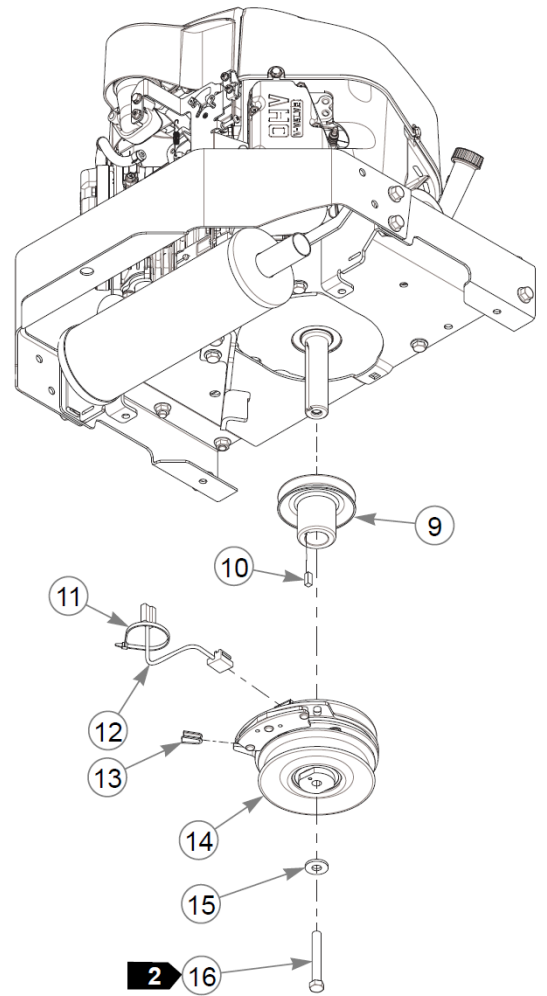
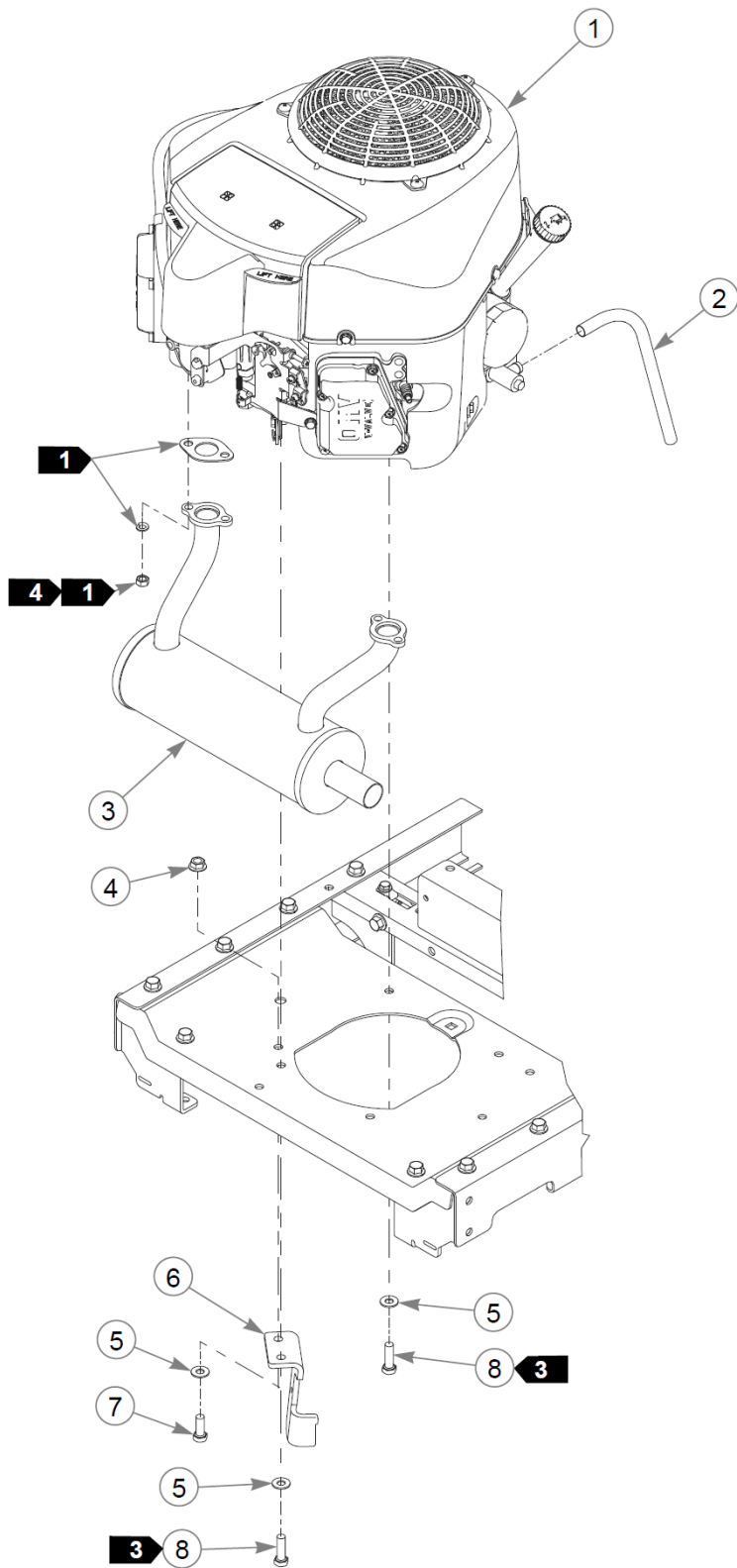
Front Wheel Assembly Breakdown

Item	Part No.	Qty	Name
1	110116	1	CASTER FORK W/A
2	707398	1	NT .500-13 JAM NY LK
3	767962	2	FW .531 x 1.063 x .175
4	604718	1	CS .500-13X6.00 HX G5 ZY
5	607009	1	TIR/WHL 11X4.00-5 SLV
6	607026	2	BEARING, BALL SEALED
7	019521	1	TIRE VALVE TR-412 GOODY

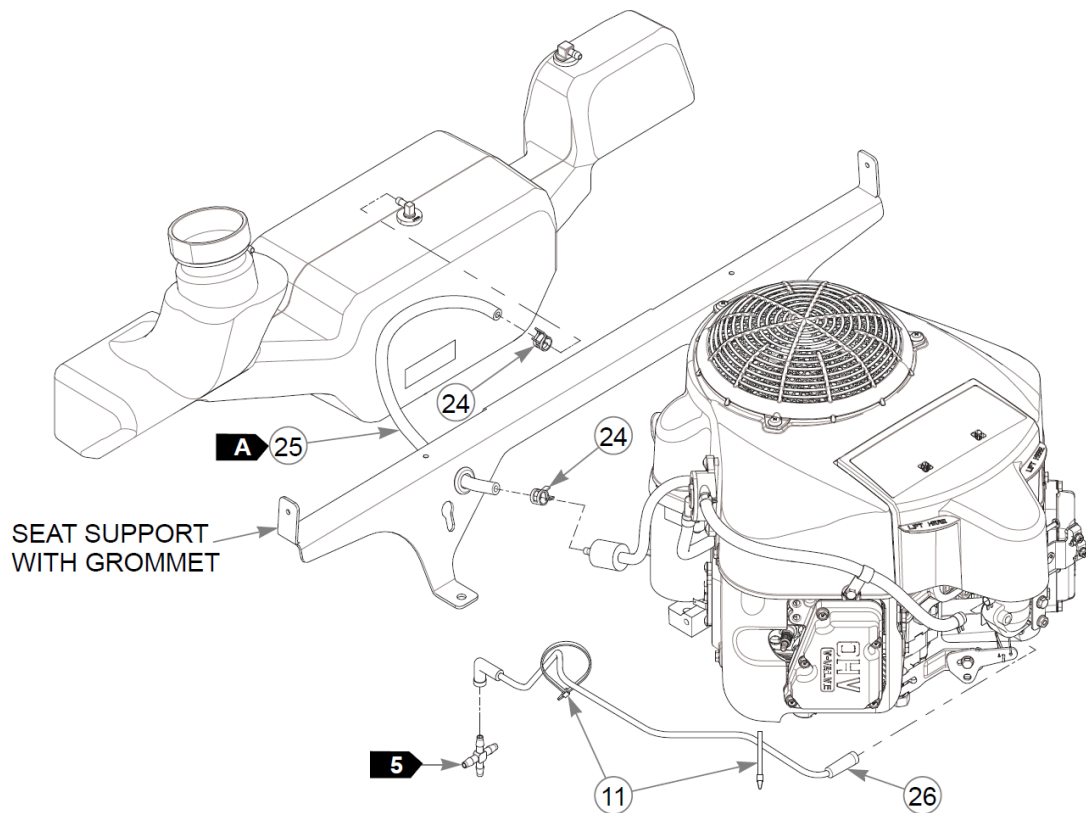
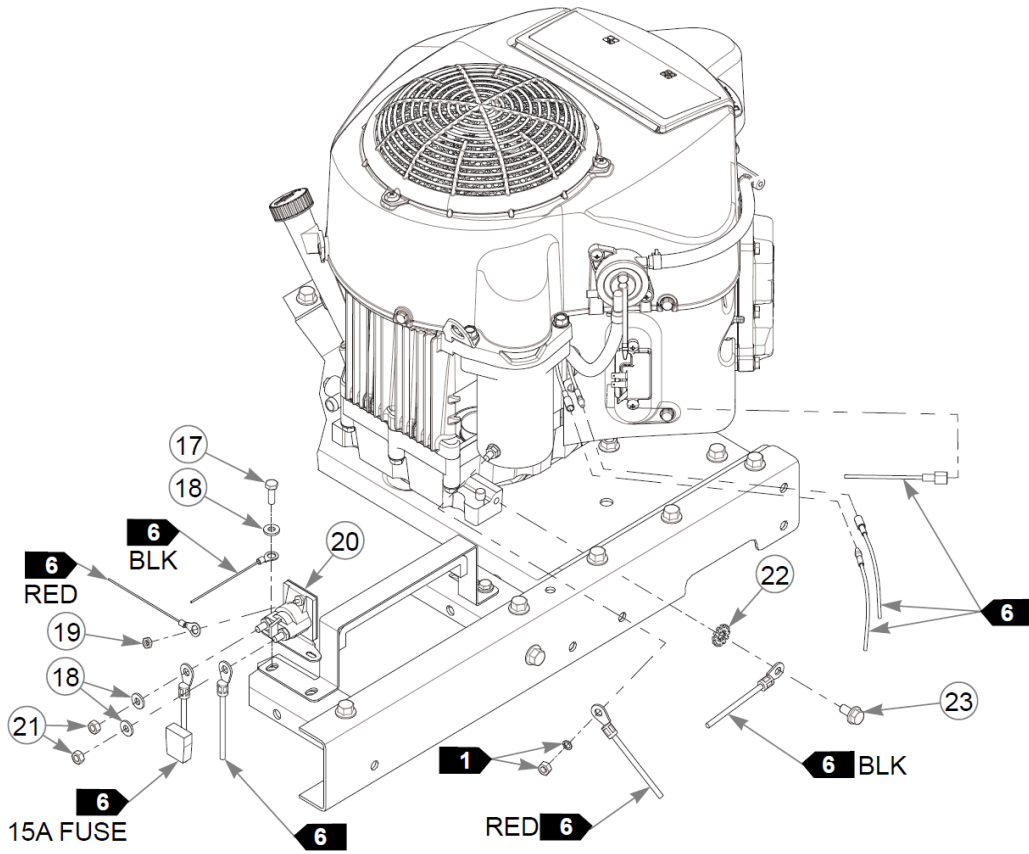


Drive Wheel Breakdown

Item	Part No.	Qty	Name
1	604267	1	TIR 18X8.50-8 B2R GRMR
2	601820	1	WHL 8X6.93 4X4.0 SLV
3	019521	1	TIRE VALVE TR-412 GOODY



Item	Part No.	Qty	Name
1		1	ENGINE, KAW FR691V
2	604463	30cm	HOSE, OIL DRAIN
3	604016	1	MUFFLER, FR730V
4	016899	1	NT .375-16 FLKG5
5	767954	5	FW 0.379X.82X.06 HD ZY
6	121625	1	CLUTCH ANCHOR
7	036244	1	CS .375-16X1.00 HX G5 ZY
8	602580	4	CS .375-16X1.25HXG8ZYP85
9	605574	1	PULLEY, ENG 4.094OP
10	712372	1	KEY 1/4 SQ X 0.66 LG(FS)
11	000331	3	WIRE TIE, SMALL/SHORT
12	791251	1	HARNES, CLUTCH PIGTAIL
<p>Comments for Part Num. 791251</p> <p>Pigtail was updated with epoxy to hold the wires steady. The wire sheath was also updated to a more flexible material.</p>			
13	605595	1	BUSHING, CLUTCH
14	605827K	1	CLUTCH KIT
15	602680	1	FW .453X1.12X.12 HRD ZY
16	785048	1	CS .437-20X3.00 HXG5 P85
17	055939	2	CS .250-20X0.75 HX G5 ZY
18	768515	4	FW 0.281SAE
19	044255	1	NT #10-32HXG5
20	030817	1	STARTER SOLENOID HW KIT
21	024927	2	NT .250-20HXG5
22	029876	1	LW .312 INTEXT ZY
23	720516	1	CS M8-1.25X16HX FL10.9
24	000323	2	CLIP, HOSE CLAMP
25	015818	46 cm	FUEL LINE, 1/4"
<p>Comments for Part Num. 015818</p> <p>Sold by the foot.</p>			
26	604274	1	VAPOR LINE, 3/16 FORMED

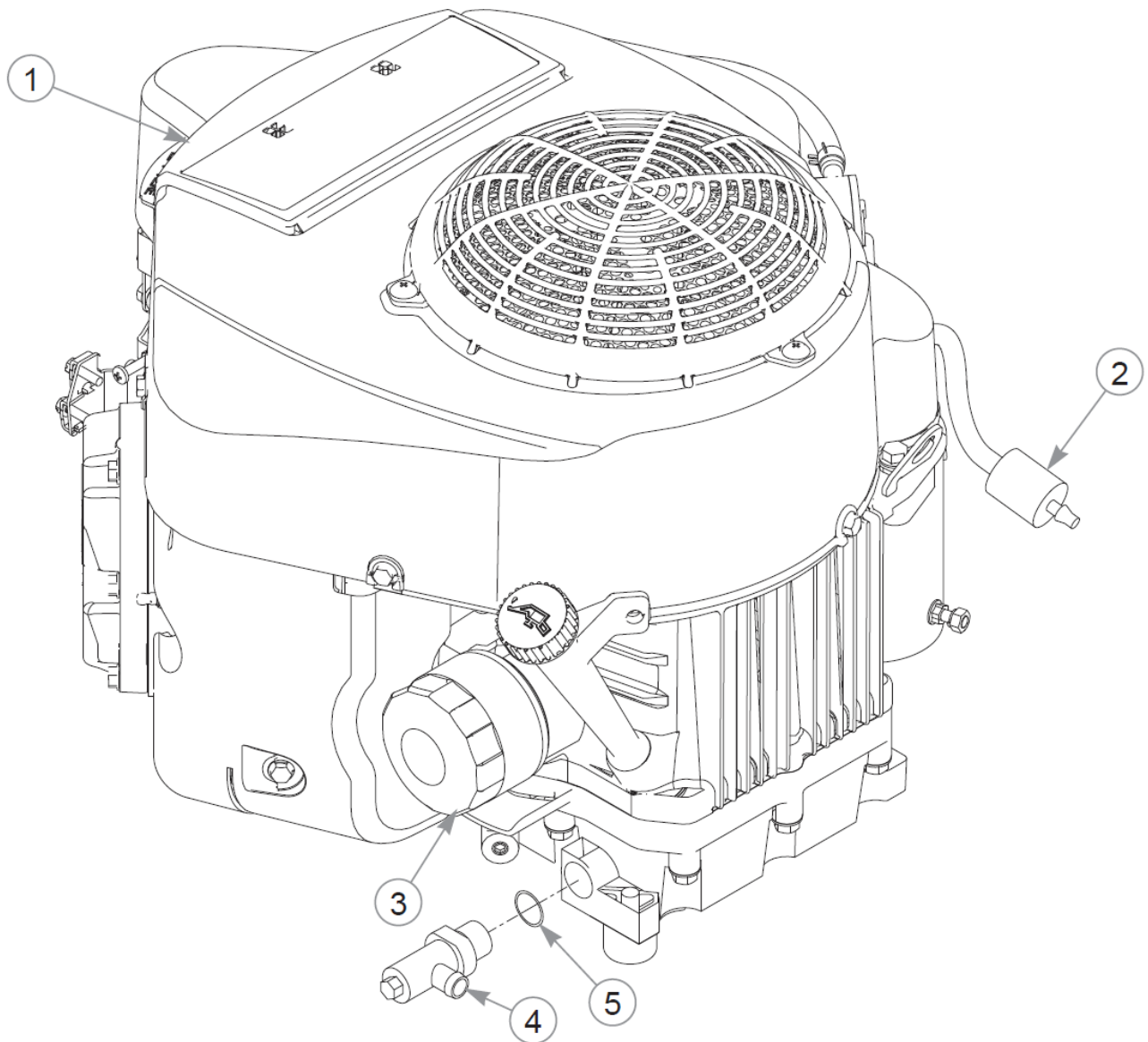


Comments for Page: Engine, Muffler & Clutch (Multi-Page)

FUEL LINE LENGTH

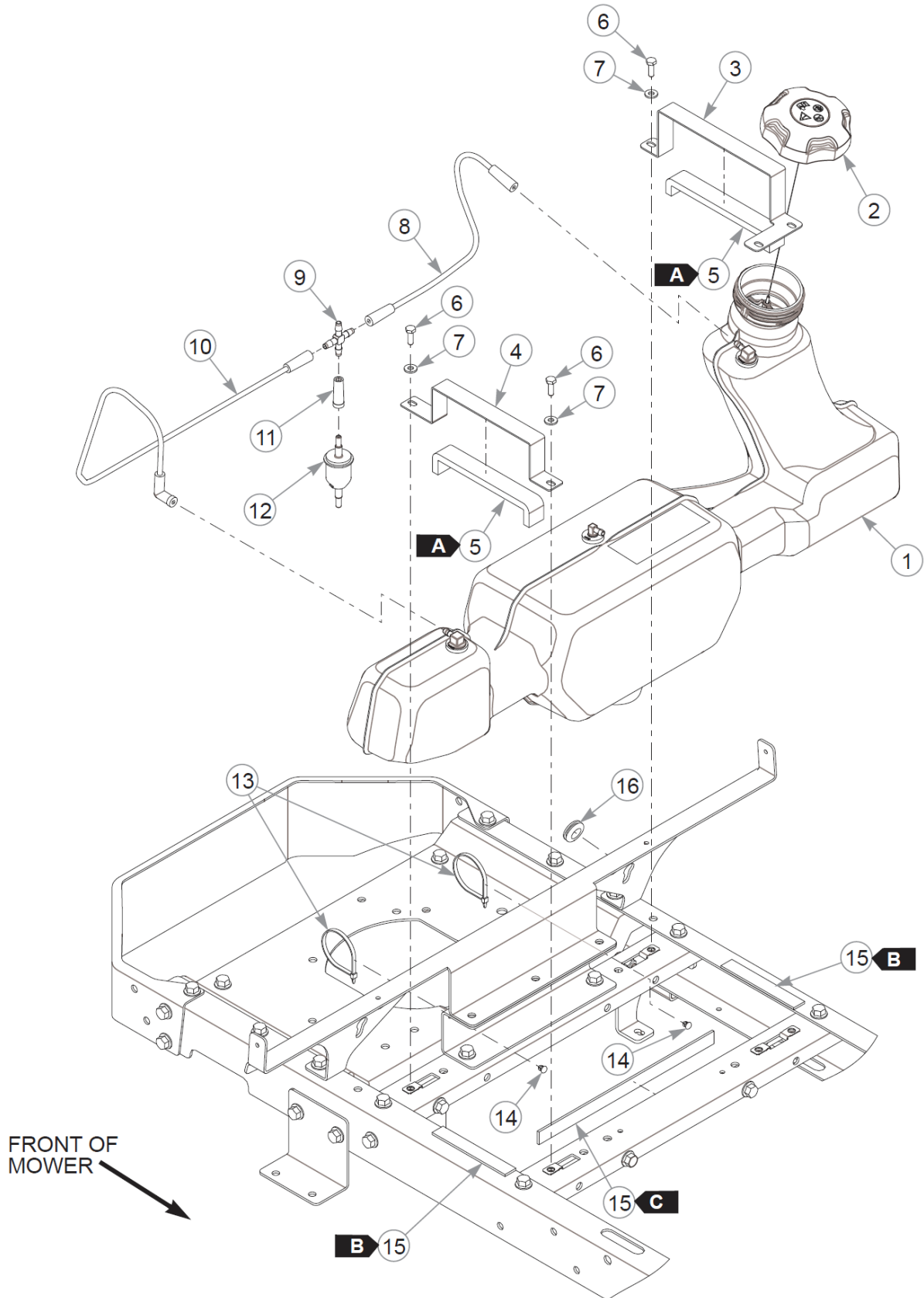
A: 46 cm TANK TO FUEL FILTER (FUEL)

1. Supplied with the engine.
2. Torque to 61–65 N•m. Replace (do not reuse) the cap screw if removed or loosened.
3. Torque to 41–47 N•m. Replace (do not reuse) the cap screw if it is removed or loosened.
4. Torque to 30 N•m.
5. Part of the fuel system.
6. Part of the wire harness.



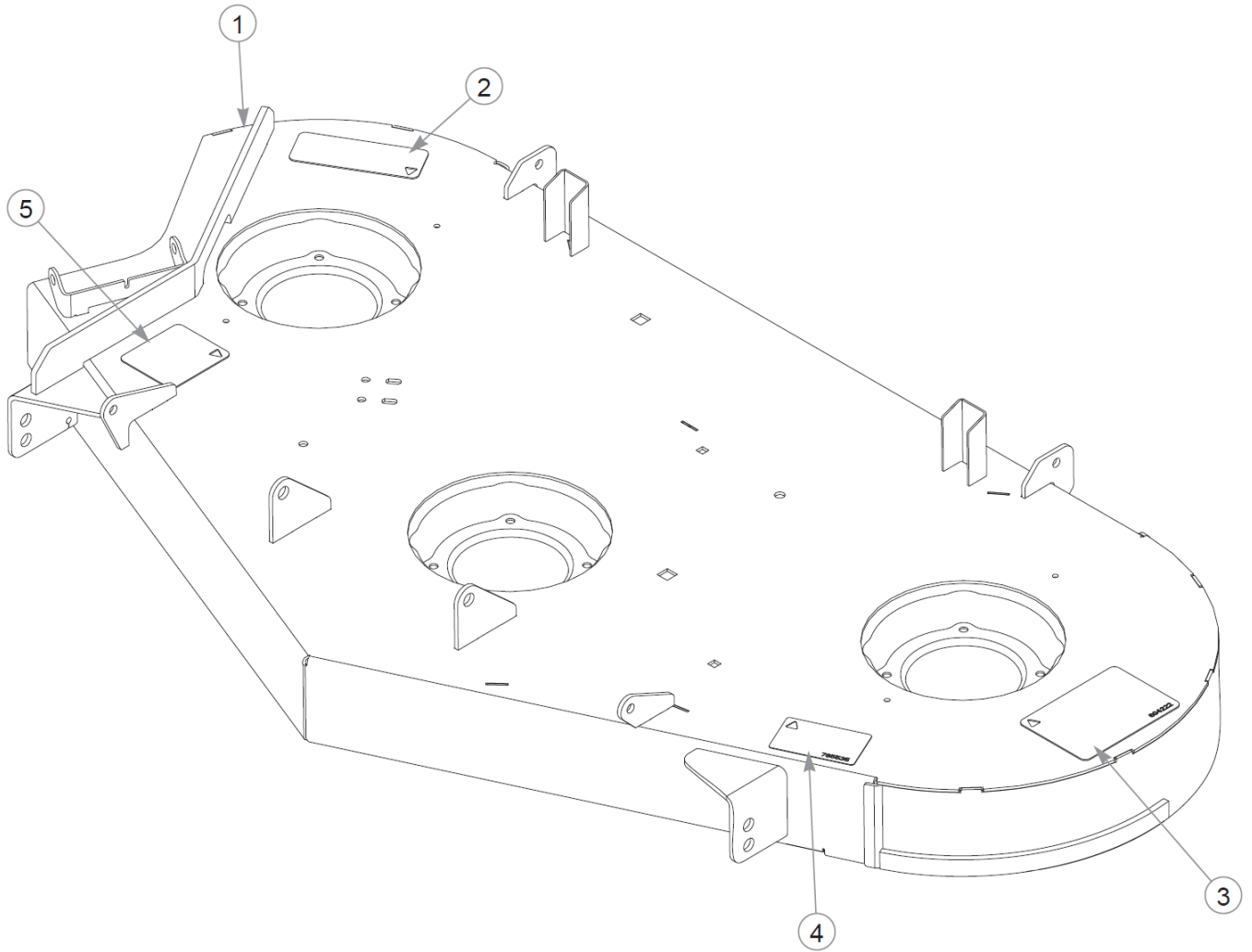
Engine Service Parts

Item	Part No.	Qty	Name
1	603059	1	AIR FILTER, KAW (MAIN AIR FILTER)
2	068478	1	FUEL FILTER
3	602581	1	FILTER, ENGINE OIL
4	604350	1	VALVE, OIL DRAIN
5	604369	1	O-RING



Fuel System

Item	Part No.	Qty	Name
1	606432	1	FUEL TANK
2	603807	1	CAP, 3.5" RATCHETING GAS
3	117059	1	TANK MNT LEFT
4	117060	1	TANK MNT RIGHT
5	713198	47 cm	SEAL 3/8x3/4 SOLD BY FT
6	055939	3	CS .250-20X0.75 HX G5 ZY
7	768515	3	FW 0.281SAE
8	604279	1	VAPOR LINE, 3/16 FORMED
9	604322	1	1/4" HOSE BARB CROSS
10	604273	1	VAPOR LINE, 3/16 FORMED
11	604292	1	BOOT, 3/16" TO 1/4" BARB
12	604323	1	FILTER, VAPOR SYSTEM
13	000331	2	WIRE TIE, SMALL/SHORT
14	604307	2	MOUNT, PUSH BUTTON
15	033035	56 cm	WEATHERSTRIP .12X.75
16	601400	1	GM .63 x1.13 x.88 x .13

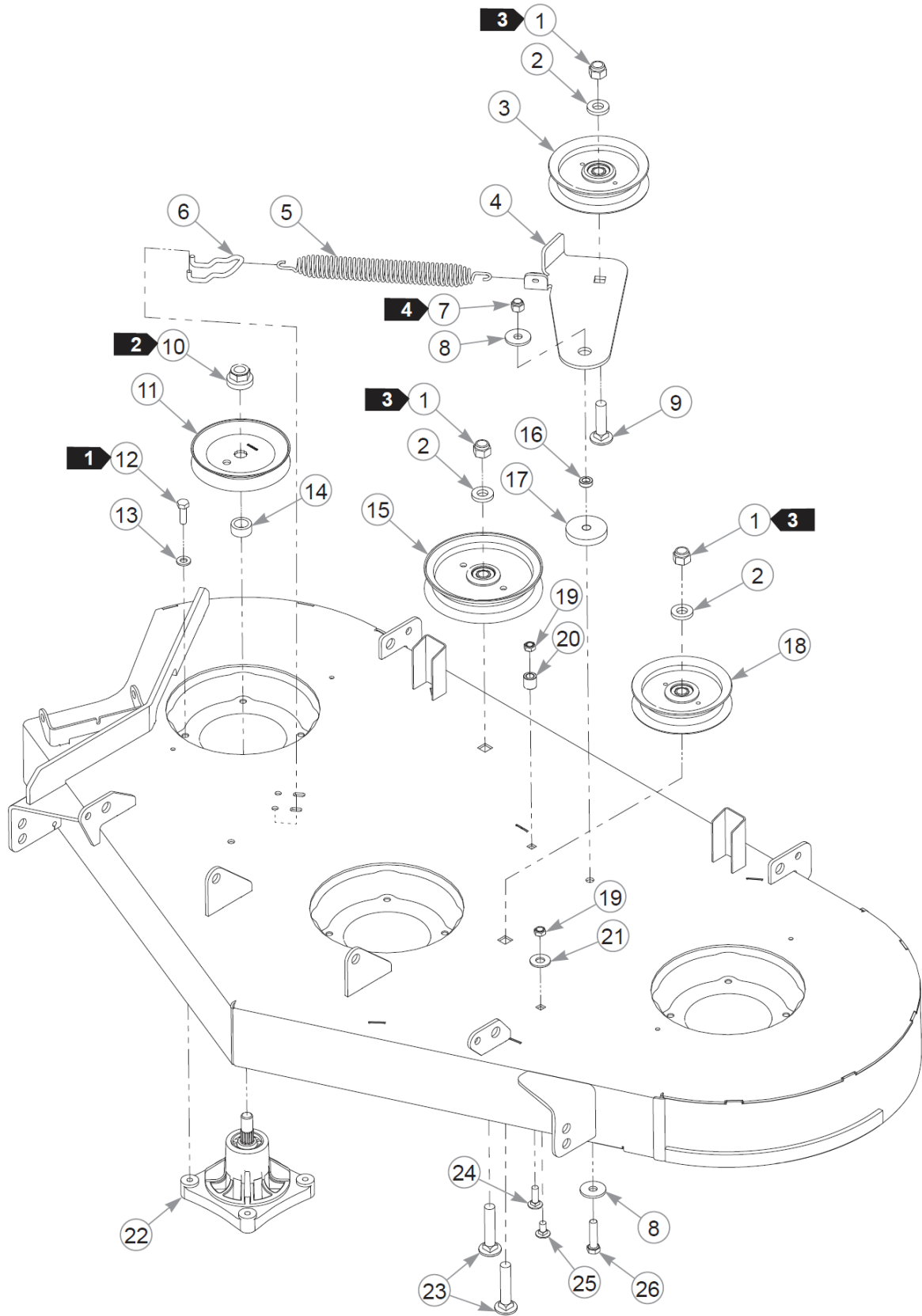


Service Deck

Item	Part No.	Qty	Name
1	554647	1	SVC, DECK DECAL ASSY 52"
2	601624	1	DECAL, DISCHARGE CHUTE
3	604222	1	DECAL, DANGER / OBJECTS
4	785535	1	DECAL, 52 DECK ID
5	601837	1	DECAL, DECK DANGERS

Comments for Page: Service Deck

1. The deck includes the decals.

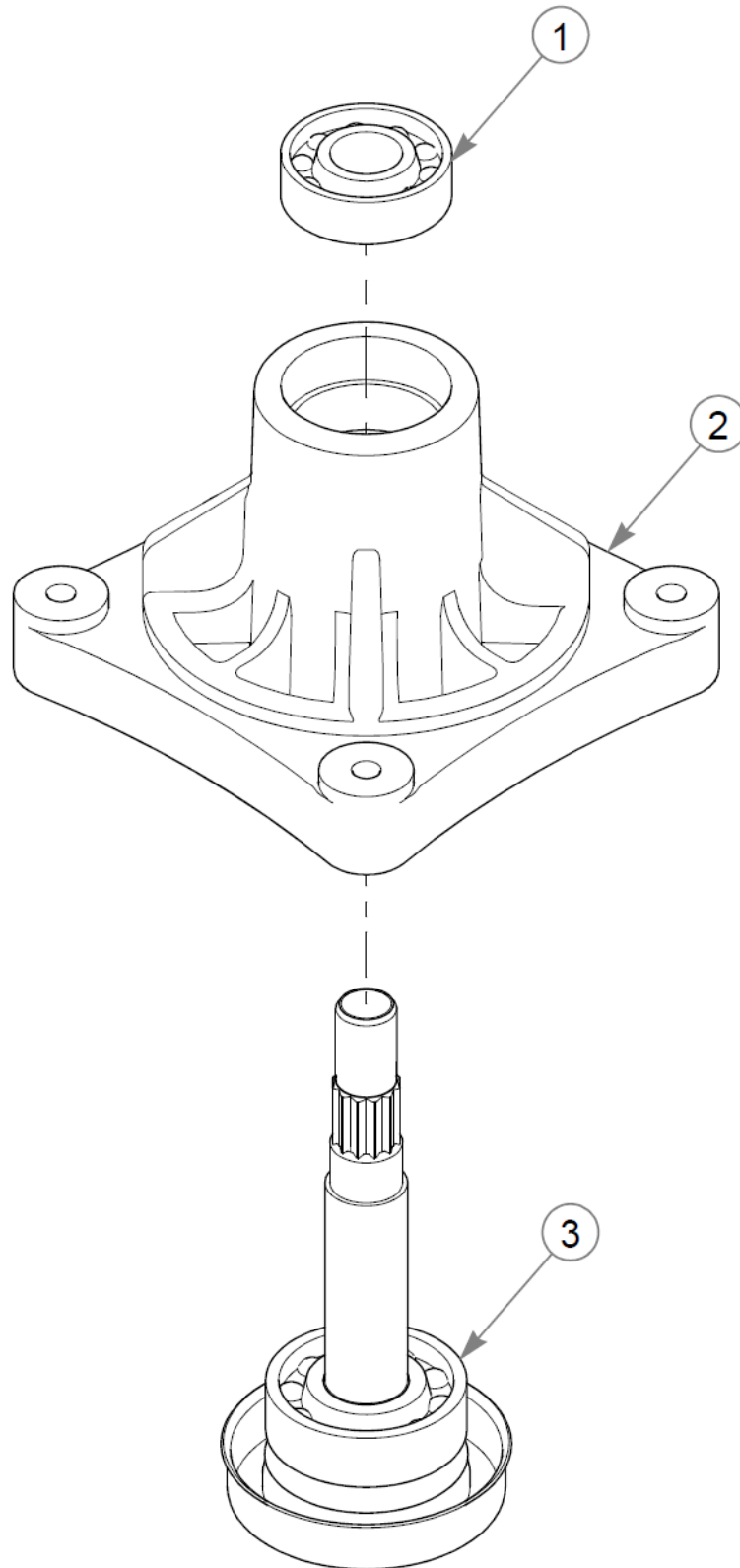


Deck Pulleys & Spindles

Item	Part No.	Qty	Name
1	781567	3	NT .500-13NLG5
2	767962	3	FW .531 x 1.063 x .175
3	603986	1	IDLER PULLEY, 4.00" FLAT
4	124942-4	1	IDLER ARM
5	122388	1	SPRING
6	604110	1	ANCHOR, SPRING TENSIONER
7	086660	1	NT .375-16NLG8
8	712893	2	FW 0.406X1.25X.12 HD ZY
9	604253	1	CB .50-13 X 2.00 STD ZN
10	606943	3	NT .562-18 HX NLG5
11	603988	3	PULLEY, DRIVE "B-SEC"
12	036236	12	CS .312-18X1.250HXG5
13	768523	12	FW 0.343SAE
14	604123	3	SPACER, PULLEY
15	604231	1	PULLEY, IDLER 5.00" O.D.
16	601839	1	PIVOT SPACER BUSHING
17	117539	1	SPACER, IDLER ARM
18	604219	1	IDLER PULLEY, 4.00" FLAT
19	604251	2	NT .312-18 HXNL JAM G2ZN
20	122398	1	TENSIONING PULLEY STOP
21	017129	1	FW .440X1.00X0.08 ZY
22	604214	3	SPINDLE ASSY, RAP/ALP
23	604254	2	CB .50-13 X 2.50 STD ZN
24	037887	1	CB .312-18X .750 FUL ZN
25	083147	1	CB .312-18X .620 G5 ZN
26	080655	1	CS .375-16X1.500HXG5

Comments for Page: Deck Pulleys & Spindles

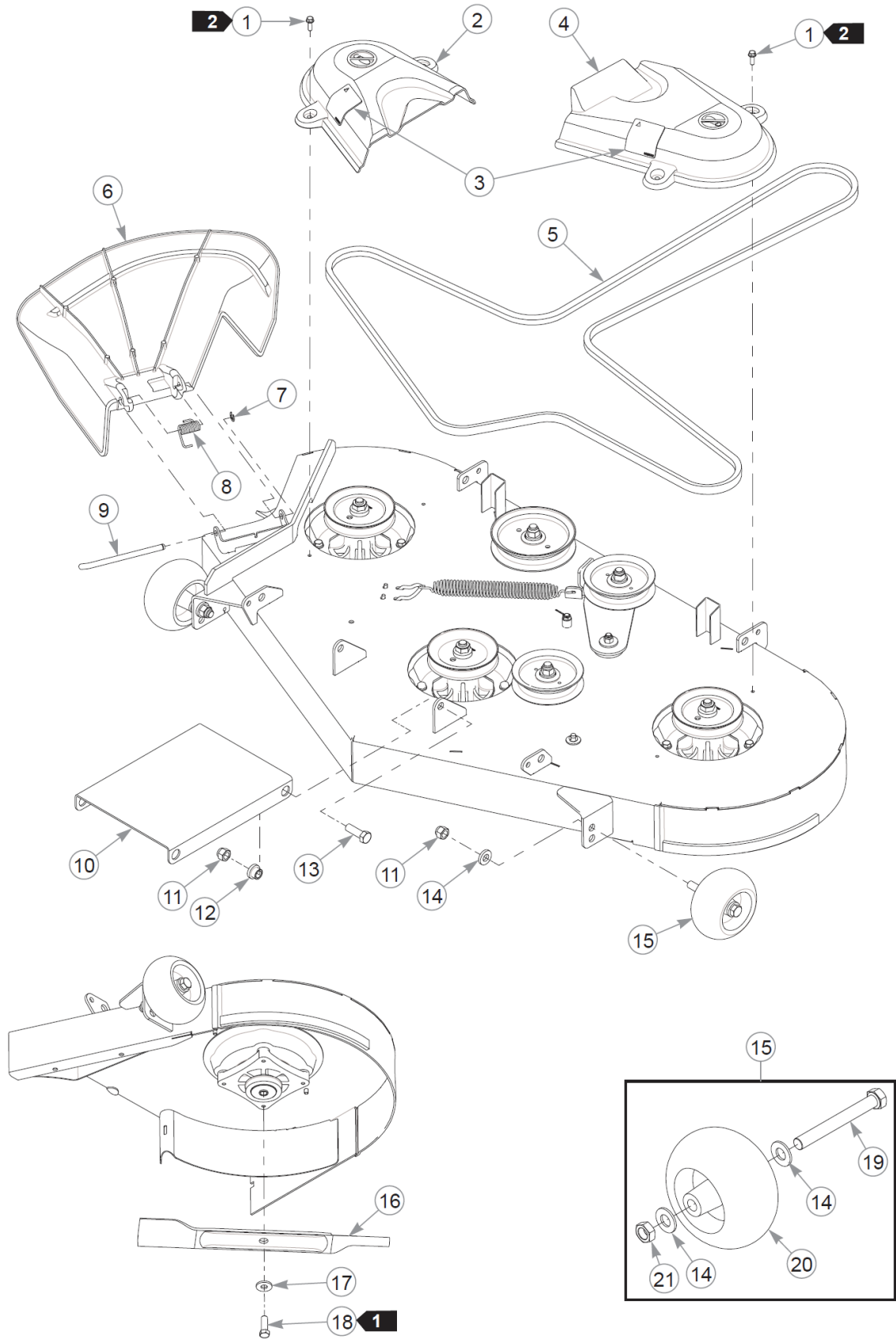
1. Torque to 24 N•m.
2. Torque to 102 N•m.
3. Torque to 99 N•m.
4. Torque to 41 N•m. The idler arm must pivot freely.



Spindle Service Parts - 604214

52" Raptor Parts Manual - 938969CE - HTRTRL052KAWFR691VC

Item	Part No.	Qty	Name
1	604019	1	6203 2RST C3
2	604218	1	CAST HOUSING
3	607274	1	SVC SHAFT
3-1	607274-1	1	BALL BEARING 6204 2RST C3 x 607274
3-2	607274-2	1	OIL SEAL x 607274
3-3	607274-3	1	CUP PROTECTION x 607274

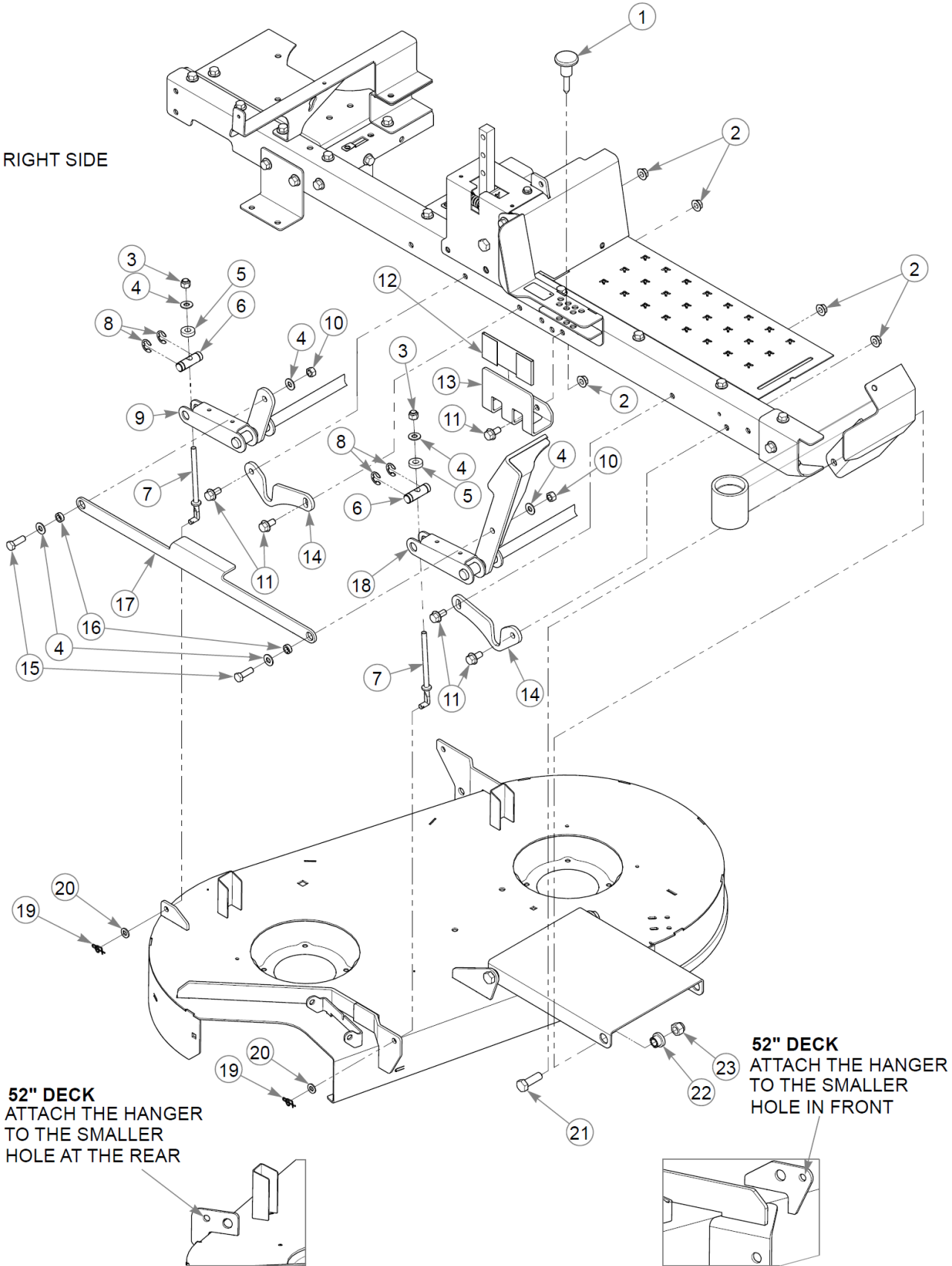


Item	Part No.	Qty	Name
1	604324	4	CS .250-20 X .75 HX FLG
2	604337	1	PULLEY COVER RH
3	602562	2	DECAL, NO SERVICE
4	604338	1	PULLEY COVER LH
5	607162	1	BELT, B-SEC 138.00"
6	606931	1	RAPTOR DISCHARGE CHUTE
7	603332	1	CLIP E .66 X .303 X .035
8	604331	1	CHUTE SPRING
9	606981	1	PIN, CHUTE
10	124837-1	1	PULLER, RAPTOR
11	781567	4	NT .500-13NLG5
12	606250	2	PIVOT SPACER BUSHING
13	074252	2	CS .500-13X1.50 HX G5 ZY
14	767962	4	FW .531 x 1.063 x .175
15	788166	2	WHEEL ASSY, ANTI SCALP
16	603995	3	BLADE, 17.86" -M-F-CW
Not Shown	783753	3	BLADE, 17.86"-L-F-CW
Not Shown	787721	3	BLADE, 17.86"-H-F-CW
Not Shown	603848	3	BLADE, 17.86"-CAT-F-CW
Not Shown	794198	3	BLADE, 17.86"-MUL-F-CW
Not Shown	785436	3	BLADE, 17.86"-GAT-F-CW
17	602680	3	FW .453X1.12X.12 HRD ZY
18	754101	3	CS .437-20X1.250HXG5
19	781708	1	CS .500-13X4.25 HX G5 ZY
20	031997	1	ANTI-SCALP WHEEL
21	053199	1	NT .500-13JAMG5

Comments for Page: Deck Belt, Discharge Chute, Pulley Covers & Blades

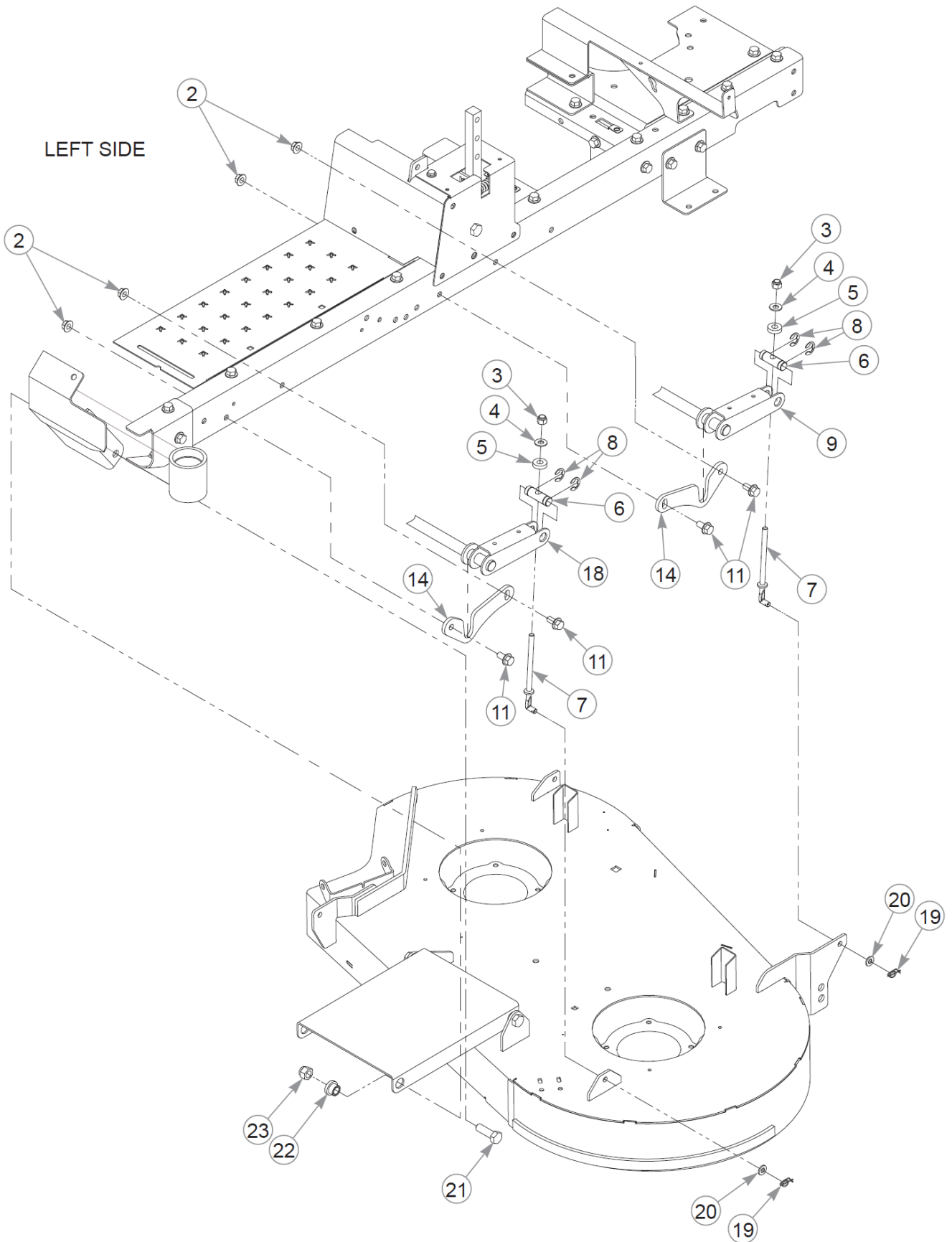
1. Torque to 65 N•m.
2. Torque to 3–7 N•m on these 4 self-tapping screws.
3. The plastic wheel assembly includes the hardware.

RIGHT SIDE

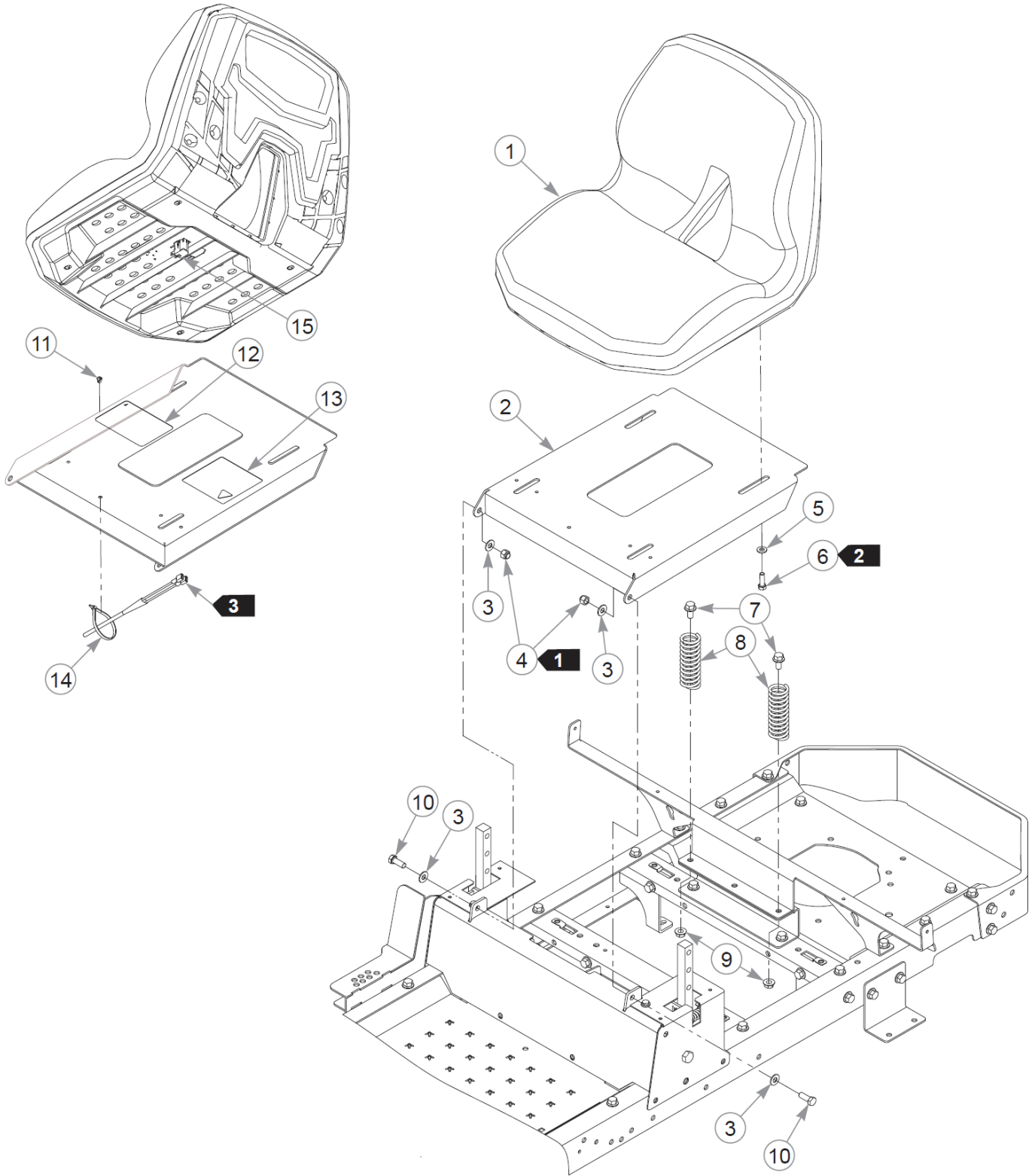


Deck Lift & Mounting Hardware (Multi-Page)

Item	Part No.	Qty	Name
1	607039	1	PIN, .375X1.62 MAGNETIC
2	016899	10	NT .375-16 FLKG5
3	086660	4	NT .375-16NLG8
4	767954	8	FW 0.379X.82X.06 HD ZY
5	605114	4	FW .41X.94X.25 UHMW
6	118018	4	PIVOT, DECK LIFT
7	607017	4	HANGER, DECK
8	791673	8	CLIP E,.625x.480x.042 Z
9	124792-1	1	DECK LIFT W/A, REAR
10	054502	2	NT .375-16HXG5
11	029629	10	CS .375-16X0.75 HXF G5ZY
12	722199	8"	POLYURETHANE 2" (FS)
13	125224-4	1	SPACER BRKT, DECK HEIGHT
14	116151	4	PIVOT BLOCK, DECK LIFT
15	005132	2	CS .375-16X1.12 HX G5 Z
16	601839	2	PIVOT SPACER BUSHING
17	607119-4	1	DECK LIFT LINK
18	118084	1	DECK LIFT W/A, FRONT
19	607093	4	CP, RUE RING .054 X .392
20	768523	4	FW 0.343SAE
21	074252	2	CS .500-13X1.50 HX G5 ZY
22	606250	2	PIVOT SPACER BUSHING
23	781567	2	NT .500-13NLG5



This page intentionally left blank



Seat

Item	Part No.	Qty	Name
1	607143	1	SEAT, SK100
2	554779	1	SVC, SEATPAN
3	767954	4	FW 0.379X.82X.06 HD ZY
4	086660	2	NT .375-16NLG8
5	768523	4	FW 0.343SAE
6	036236	4	CS .312-18X1.250HXG5
7	029629	2	CS .375-16X0.75 HXF G5ZY
8	793851	2	SPRING,COMP 1.25X4.00X.
9	016899	2	NT .375-16 FLKG5
10	036244	2	CS .375-16X1.00 HX G5 ZY
11	604307	1	MOUNT, PUSH BUTTON
12	601815	1	DECAL, BATTERY WARNINGS
13	781419	1	DECAL, BELT ROUTING
14	000331	1	WIRE TIE, SMALL/SHORT
15	603535	1	SEAT SWITCH, SEATS INC

Comments for Page: Seat

1. Do not torque; the seat pan must pivot freely.
2. Torque to 7 ft-lbs.
3. Part of the wire harness.
4. The seat pan includes the decals.